

CYPRIOT MEDIEVAL CERAMICS

Reconsiderations and New Perspectives

Edited by
Demetra Papanikola-Bakirtzi
and
Nicholas Coureas



A. G. Leventis Foundation



Cyprus Research Centre
Nicosia

NICOSIA
2014

© 2014, The Cyprus Research Centre and
The A. G. Leventis Foundation

ISBN 978-9963-0-8133-2

PRINTED IN CYPRUS
BY S. LIVADIOTIS LTD
on behalf of the Cyprus Research Centre
P.O.Box 21952, 1515 Nicosia - Cyprus
and The Anastasios G. Leventis Foundation
40, Gladstonos Street
Nicosia - Cyprus

CONTENTS

Editors' Foreword	11
Anastasios Pavlos Leventis Forword on behalf of the A. G. Leventis Foundation	13
Anna Pouradier Duteil-Loizidou Forword on behalf of the Cyprus Research Centre	15
Demetra Papanikola-Bakirtzi <i>Cypriot Medieval Ceramics: An overview</i>	17
SECTION 1: CYPRIOT MEDIEVAL GLAZED POTTERY: ARCHAEOLOGICAL FINDS AND PRODUCTION SITES	
Holly Cook <i>From Boom to Bust: The Impact of the Crusades upon the Glazed Pottery Paphos, Cyprus, during the Thirteenth and Fourteenth Centuries A.D. From the Theatre Workshop Perspective</i>	29
Véronique François and Lucy Vallauri <i>Ceramics from the Potamia-Agios Sozomenos: New Archaeological Data on the Ceramic Production and Trade in Cyprus</i>	45
Yiannis Violaris <i>Another "Pit Group" from Nicosia: A Fifteenth Century Sealed Assemblage from the Site of Palaion Demarcheion (abstract)</i>	57
SECTION 2: CYPRIOT MEDIEVAL GLAZED POTTERY: DIFFUSION, CIRCULATION, TRADE, USES	
Edna J. Stern <i>The Paphos Glazed Wares: Distribution and Consumption in the Latin Kingdom of Jerusalem</i>	61
Beate Böhlendorf-Arslan <i>Medieval Cypriot Pottery in Turkey and Germany: An Overview of Distribution in Archaeological Sites and Collections</i>	77
Maria Michaelidou <i>Cypriot Glazed Pottery from Excavations in the Town of Rhodes: A Contribution to Aspects of Circulation and Dating (abstract)</i>	105

Gülgün Köroğlu	
<i>Cypriot Medieval Glazed Pottery from the Mersin-Yumuktepe</i>	
<i>Mound Excavations (abstract)</i>	109
SECTION 3: CYPRIOT MEDIEVAL GLAZED POTTERY AND RELATED GLAZED POLYCHROME SGRAFFITO CERAMICS IN THE THIRTEENTH AND FOURTEENTH CENTURIES	
Larissa Sedikova	
<i>Glazed Polychrome Sgraffito Ware of the Thirteenth to Fifteenth</i>	
<i>Centuries from the Crimea: Mediterranean Parallels</i>	113
Scott Redford	
<i>Port Saint Symeon Ceramics and Cyprus</i>	125
Joanita Vroom	
<i>Human Representations on Medieval Cypriot Ceramics and beyond</i>	
<i>The Enigma of Mysterious Figures Wrapped in Riddles</i>	153
SECTION 4: CYPRIOT MEDIEVAL POTTERY BEYOND ELABORATE TABLEWARE	
Ruth Smadar Gabrieli	
<i>Shades of Brown: Regional Differentiation in the Coarse Ware</i>	
<i>of Medieval Cyprus</i>	191
Marie-Louise von Wartburg	
<i>Ubiquity and Conformity: A Comparative Study of Sugar Pottery</i>	
<i>Excavated in Cyprus</i>	213
Nicholas Coureas	
<i>Pottery and its Uses in the Latin Church of Cyprus</i>	
<i>(ca. 1283-1367)</i>	247
SECTION 5: CYPRIOT MEDIEVAL POTTERY: ARCHAEOLOGICAL APPROACHES	
Sylvie Yona Waksman	
<i>Archaeometric Approaches to Ceramics Production and Imports</i>	
<i>in Medieval Cyprus</i>	257
Andreas C. Charalambous	
<i>Cypriot Medieval Glazed Pottery: A Study on Provenance</i>	
<i>and Manufacture</i>	279

CONCLUSIONS:

Demetra Papanikola-Bakitzí

Retrospect and Prospect.....303

Nicholas Coureas

Historical Conclusions.....309

BIBLIOGRAPHY313

CONTRIBUTORS335



Cypriot Medieval Ceramics, Nicosia, 2014, pp. 257-277

ARCHAEOLOGICAL APPROACHES TO CERAMICS PRODUCTION AND IMPORTS IN MEDIEVAL CYPRUS

SYLVIE YONA WAKSMAN

CNRS, Laboratoire de Céramologie, UMR 5138 'Archéométrie et Archéologie',
Maison de l'Orient et de la Méditerranée, Lyon, France

Although pottery found on Cyprus has been the subject of many laboratory investigations using chemical analysis (e.g. Jones 1986 for a review until 1983, Rautman *et al.* 1993, Gomez *et al.* 2002, Picon and Blondé 2002, Hatcher 2007), very few were devoted to the medieval period. The pioneer work of Megaw and Jones (1983, Jones 1986) led the way, followed by Megaw, Armstrong and Hatcher (2003, Armstrong and Hatcher 1997) and only a few others, including the author (Waksman 2002, Waksman *et al.* 2003, 2005, Waksman and François 2004-2005, Waksman and von Wartburg 2006, von Wartburg *et al.* 2010, Charalambous *et al.* 2010, 2012). From the early to the post-Medieval periods, research carried out at the "Laboratoire de Céramologie" in Lyon concerned sites in different parts of Cyprus (including the northern part of the island), various categories of ceramics (common and cooking wares, table wares, industrial ceramics), and may refer to data included in the large Lyon database of chemical analyses (e.g. Cypriot late Roman amphorae LRA1, Empeur and Picon 1989) (Fig. 1). In this paper, we would like to both summarize some of the results of

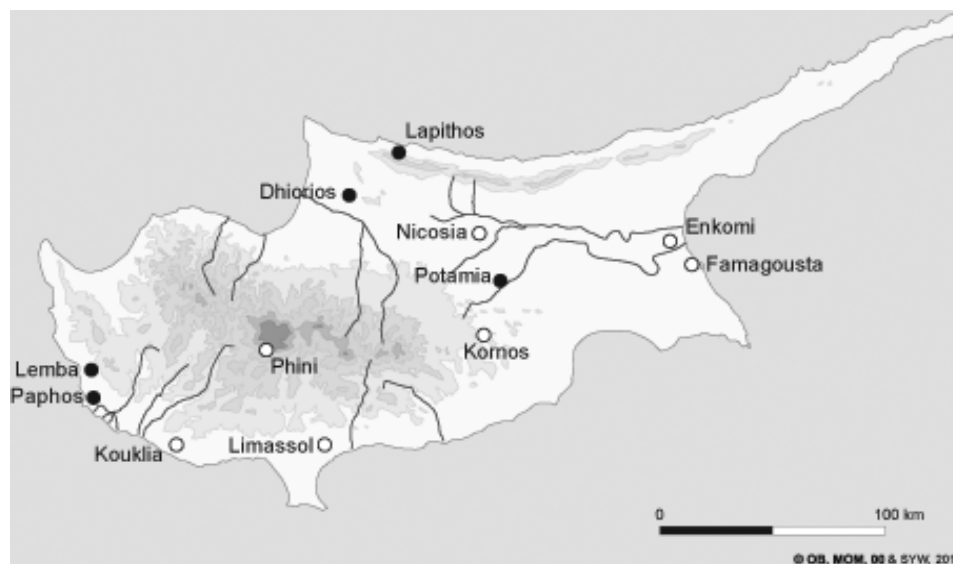


Fig. 1: Pottery production sites on Cyprus presented (black dots) or mentioned (white dots) in the text





this research and present as yet unpublished data, concerning local production and imports on Cyprus.

The circulation of cooking wares in the early Byzantine period (Figs 2-3, Table 1)¹

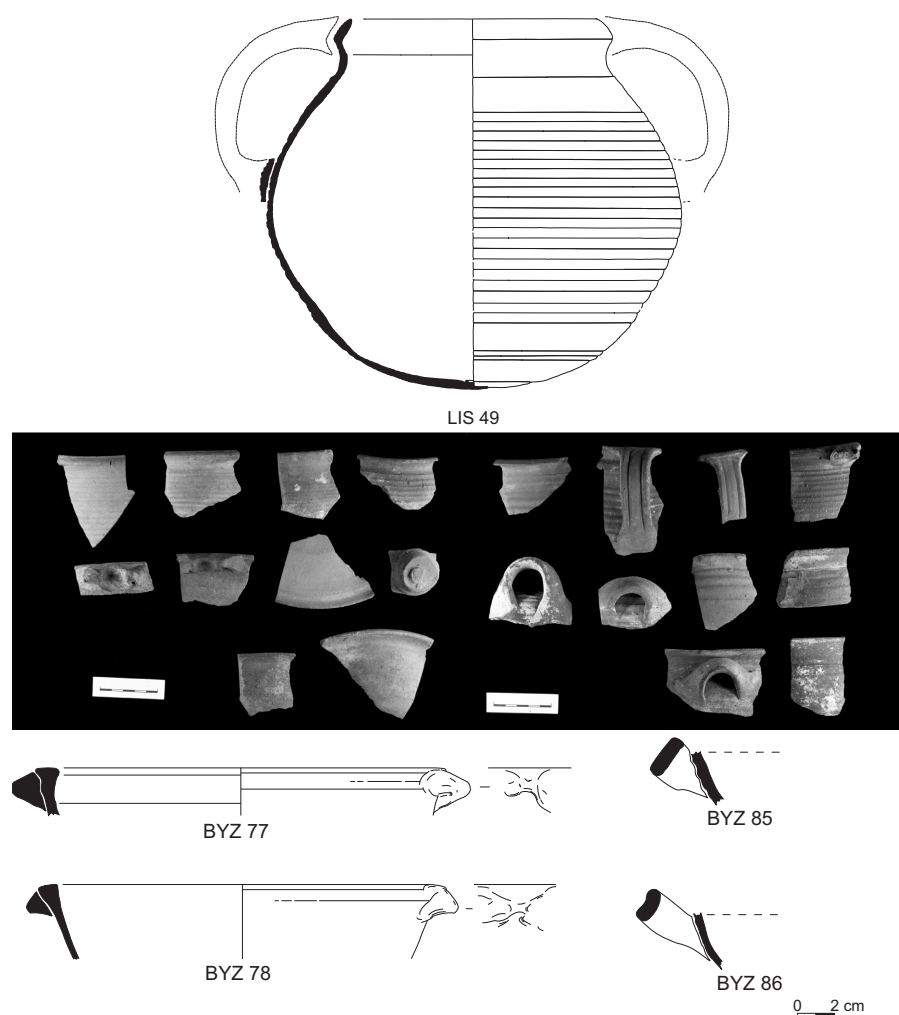


Fig. 2/Colour Pl. XVIIIa: CATHMA 11 type and Dhiorios reference group. Top: example of CATHMA 11 type from Saint-Blaise (J.-C. Trégliat). Middle: samples analyzed from Dhiorios workshop; left (from left to right, top to bottom): BYZ 73, 74, 87, 88, 77, 78, 84, 83, 81, 82; right (from left to right, top to bottom): BYZ 79, 80, 90, 89, 86, 85, 75, 76, 92, 91 (photos Y. Montmessin). Bottom: samples analyzed from Dhiorios workshop (S. Elaigne, C. Brun, S.Y. Waksman). Chemical data are detailed in Waksman *et al.* 2003

1. BYZ, LIS, LEV., numbers refer to Lyon laboratory ids.



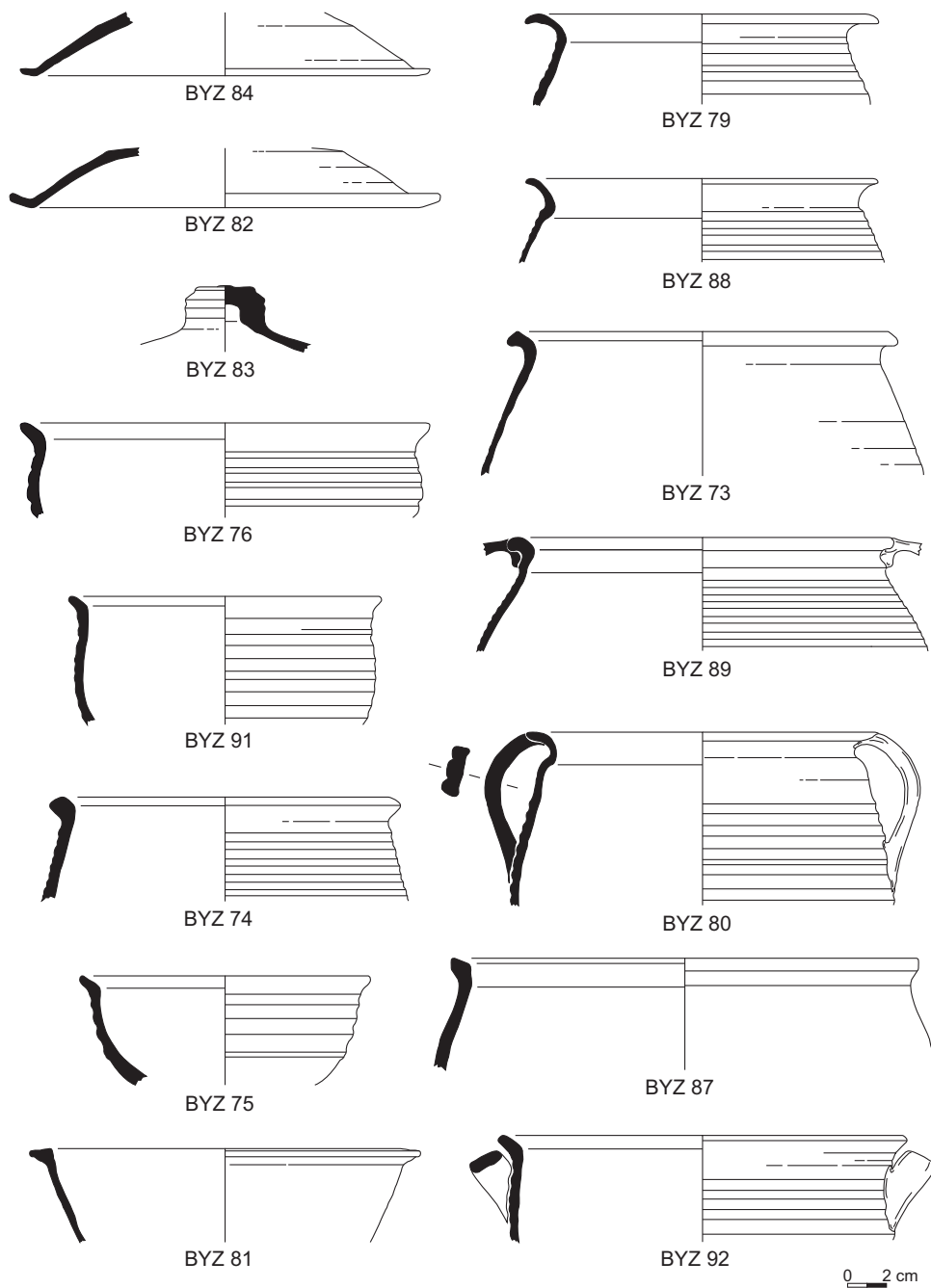


Fig. 3: Dhiorios reference group

Samples analyzed from Dhiorios workshop (S. Elaigne, C. Brun, S.Y. Waksman)
 Chemical data are detailed in Waksman *et al.* 2003



Name	CaO	Fe ₂ O ₃	TiO ₂	K ₂ O	SiO ₂	Al ₂ O ₃	MgO	MnO	(Na ₂ O)	(P ₂ O ₅)	Zr	Sr	Rb	Zn	Cr	Ni	(La)	Ba	V	Ce
Dhiorios workshop (n=20, Waksman et al. 2003)																				
m	1.74	10.88	1.031	2.34	60.54	21.13	1.44	0.1357	0.46	0.09	209	123	120	107	708	176	57	348	193	95
σ	0.57	0.63	0.060	0.21	1.79	1.23	0.12	0.0206	0.09	0.01	13	27	11	47	186	10	7	28	18	8
Crusader Beirut workshops																				
table and cooking wares, red bodies (Waksman 2002)																				
B1 (n=17)																				
m	11.26	9.92	1.777	0.92	61.23	12.97	1.16	0.1053	0.27	0.21	463	195	37	85	144	93	41	225	132	80
σ	3.36	0.80	0.158	0.21	4.16	0.99	0.23	0.0179	0.08	0.11	43	43	7	20	13	10	7	44	9	5
B2 (n=8)																				
m	1.66	9.92	1.790	0.81	69.89	14.65	0.77	0.1153	0.36	0.16	477	95	42	90	144	98	51	229	142	95
σ	0.55	0.97	0.193	0.23	2.51	1.31	0.07	0.0127	0.19	0.07	36	30	5	14	14	11	8	28	20	7
B3 (n=19)																				
m	2.09	8.26	1.790	0.43	73.60	12.66	0.67	0.0528	0.24	0.11	506	76	33	67	129	69	36	143	121	78
σ	1.82	0.97	0.178	0.08	3.25	1.02	0.14	0.0094	0.10	0.07	32	25	5	19	15	10	6	61	16	10
B4 (n=6)																				
m	11.93	7.98	1.476	0.58	65.42	11.07	0.96	0.0685	0.26	0.16	429	169	29	62	114	62	34	169	112	75
σ	2.46	0.51	0.157	0.10	1.62	0.65	0.15	0.0156	0.02	0.07	32	18	5	8	8	8	5	55	10	4
B5 (n=8)																				
m	1.19	11.46	2.319	0.66	66.34	16.67	0.79	0.0636	0.23	0.15	515	81	38	90	176	111	52	154	128	90
σ	0.26	0.87	0.184	0.08	1.57	1.05	0.08	0.0106	0.05	0.12	24	7	4	15	19	17	4	49	20	10
table wares, buff bodies (n=26, Waksman 2011)																				
m	32.14	6.82	1.012	0.68	47.04	9.12	2.05	0.0769	0.47	0.24	292	389	18	63	95	49	24	255	93	58
σ	4.96	0.57	0.105	0.23	4.24	0.77	0.86	0.0148	0.23	0.22	30	60	11	7	12	10	4	126	16	10

Table 1: Chemical compositions of samples from Dhiorios and from Beirut workshops (groups and sub-groups of red and buff wares in the latter case)

Major and minor elements are given in oxides weight %, trace elements in parts per million (ppm); m: mean, σ.: standard deviation, n: number of samples, ld: detection limit. Elements between brackets are indicative

A first case study focused on types of cooking wares which met with a large diffusion in the whole Mediterranean in the late Roman / early Byzantine period, and were thought to originate from its Eastern part (CATHMA² 1991, Waksman *et al.* 2003, 2005). One of this type, characterized by a concave rim (CATHMA type 11, Fig. 2), had previously been attributed to the Cypriot workshop of Dhiorios (Catling 1972). The publication of the excavations at Dhiorios was of major interest, as an example of workshop specializing in cooking wares, and unfortunately still remains too isolated a case.

The production of Dhiorios had been characterized chemically at the Fitch Laboratory in Athens (Megaw and Jones 1983) and in Lyon (Figs 2-3, Waksman *et al.* 2003). Chemical analyses of examples of CATHMA type 11 as well as of “Levantine” types (CATHMA types 4, 16, 29) found in various sites including Marseille and Beirut, showed that they all originated from the same production site (“Workshop X”), unlikely to be Dhiorios and probably located on the Levantine coast, possibly in the area of Tell Keisan (Waksman *et al.* 2003, 2005, Reynolds and Waksman 2007).³ The result did not disagree with Catling’s publication, as CATHMA type 11 is in fact rare in Dhiorios itself, and may have been present there in a context of consumption and redistribution (warehouses) rather than in pottery dumps (Catling 1972, Waksman *et al.* 2005). Further work showed that CATHMA type 11 was in fact produced in many more workshops, including Cypriot ones (Gabrieli pers. comm.,⁴ Reynolds and Waksman 2007),⁵ but the long distance exports were only attributed to “Workshop X” products so far. It is noticeable that the latter do not seem to include any other category of pottery (fine wares, amphorae).

These results suggested the existence of more workshops specializing, like Dhiorios, in cooking wares, a feature which may be related to the specific technical requirements implied by their function (especially resistance to thermal stress, e.g. Picon 1995, Tite *et al.* 2001). Until recently, specialization occurred in traditional Cypriot workshops such as Kornos and Phini, famous for their common and cooking wares (Ionas 2000). Our study also pointed out the still under-estimated circulation of cooking wares in ancient times, as shown by our next case study as well.

2. The CATHMA association gathers ceramologists interested in the study of late Roman and early Medieval wares (cathma.ass.free.fr).

3. For a detailed typo-chronology of “Workshop X” production: Waksman *et al.* 2005, Reynolds and Waksman 2007.

4. According to petrographic analyses carried out by J. Gordon-Smith. Forthcoming information by R. S. Gabrieli and J. Gordon-Smith on the Levantine Ceramics Project website: <http://www.levantineceramics.org>.

5. To which extent the diffusion of cooking wares models, which finds another good example at the same period in the so-called sliced-rim casseroles (Waksman *et al.* 2005), also implied the diffusion of specific recipes and/or ways of cooking is under question; see also *infra*, POMEDOR project.

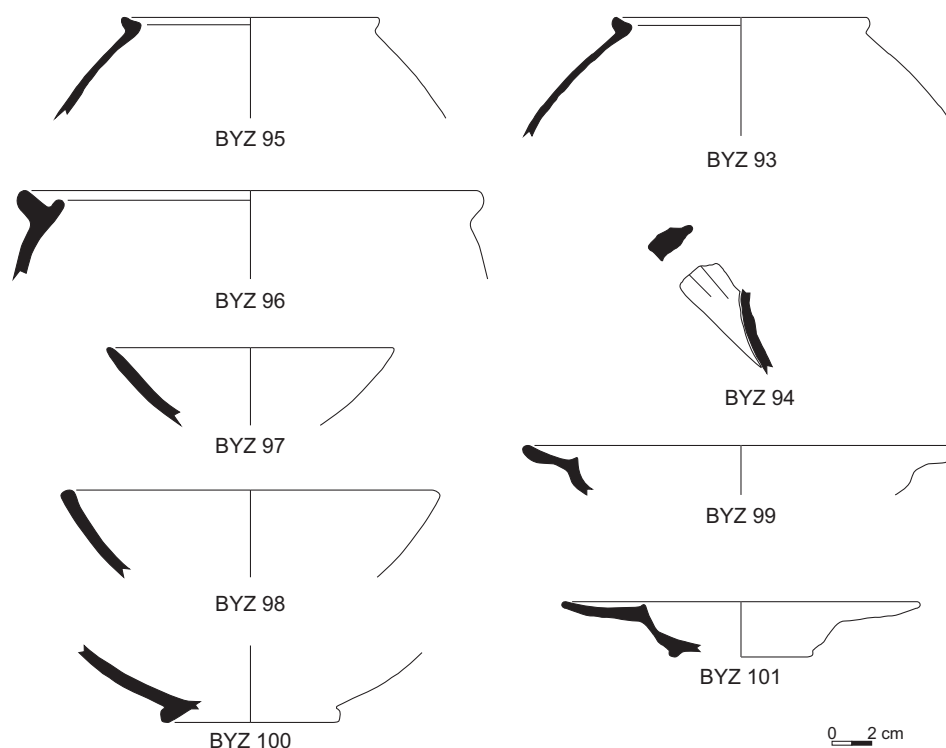


Fig. 4/Colour Pl. XVIIIb: Levantine imports on Cyprus

Top: samples analyzed from Saranda Kolones, Levantine imports from Beirut (S. Elaigne, C. Brun, S.Y. Waksman)

Bottom right: samples analyzed from Saranda Kolones, Levantine imports from Beirut (from left to right, top to bottom): LEV 93, 96, 98, 95, 94, 100 (photo Y. Montmessin, not to scale).

Chemical data are detailed in Waksman 2002

Bottom left: example of Beirut ware (LEV356) of "Islamic" type found in Tell Arqa (Lebanon), similar to ceramics found in Nicosia (von Wartburg and Violaris 2009) (photo S.Y. Waksman, not to scale)



Levantine imports in Cyprus at the Crusader period (Fig. 4, Table 1)

That cooking wares continued to circulate on a fairly large scale in subsequent periods was shown by the diffusion of Beirut products. Both table and cooking wares attributed to the Levantine area were found on Cyprus in significant quantities, especially in the region of Paphos (Megaw 1972, Megaw and Jones 1983, von Wartburg 1997, 1998, Gabrieli 2006, 2007, 2008, von Wartburg and Violaris 2009). Most of them, including sgraffito and reserved-slip table wares, cooking pots and baking dishes (Fig. 4), were shown to originate from the workshops of Beirut (Waksman 2002). Beirut products were very popular at the time in the whole Levantine area (Pringle 1986, Waksman 2002, Stern and Waksman 2003) and beyond (François *et al.* 2003, Waksman *et al.* 2009). Although quantitative data are still rare (Gabrieli 2006, Stern 1997, 2012, Stern and Waksman 2003), cooking wares appear as the dominant category in this diffusion. Other wares (especially slip-painted wares, Fig. 4: BYZ 97 to 100), sharing some common chemical features but seen as the output of distinct, not as yet located, workshop(s), are found associated in the same consumption contexts and probably followed the same trade networks (Waksman 2002, Waksman *et al.* 2008). Information provided by Cypriot sites (e.g. Megaw 1971, 1972, Gabrieli 2006, 2007, 2008, von Wartburg 1998, 2007, von Wartburg and Violaris 2009), together with other consumption contexts in the Levantine area (Stern 1997, 2012, Avissar and Stern 2005), are precious in understanding both these connections and the typo-chronologies of the different wares with greater precision.

“Crusader” Beirut also manufactured table wares of a different technological tradition, more specifically related to the “Islamic” world (Fig. 4, François *et al.* 2003, Waksman forthcoming a). Similar examples were found in Nicosia in twelfth century contexts (von Wartburg and Violaris 2009, von Wartburg *et al.* 2010), together with other possible Beirut products (cooking wares, sgraffito).⁶ Ceramics of “Islamic” type however seem to be rare on Cyprus (von Wartburg *et al.* 2010) when compared to “Levantine” types from Beirut, and especially to imports of Byzantine types.

The Byzantine table wares koine (Figs 5-9, Tables 2-3)

When looking more specifically at table wares, the dominant picture in both local production and imports is that of a territory belonging to the *koine* of Byzantine ceramics (e.g. Papanikola-Bakirtzis 2012). Further connections are seen with some areas of the Levant, especially the region around the gulf of Iskenderun (Alexandretta) and its productions related to the Port Saint Symeon

6. These attributions still need to be confirmed.

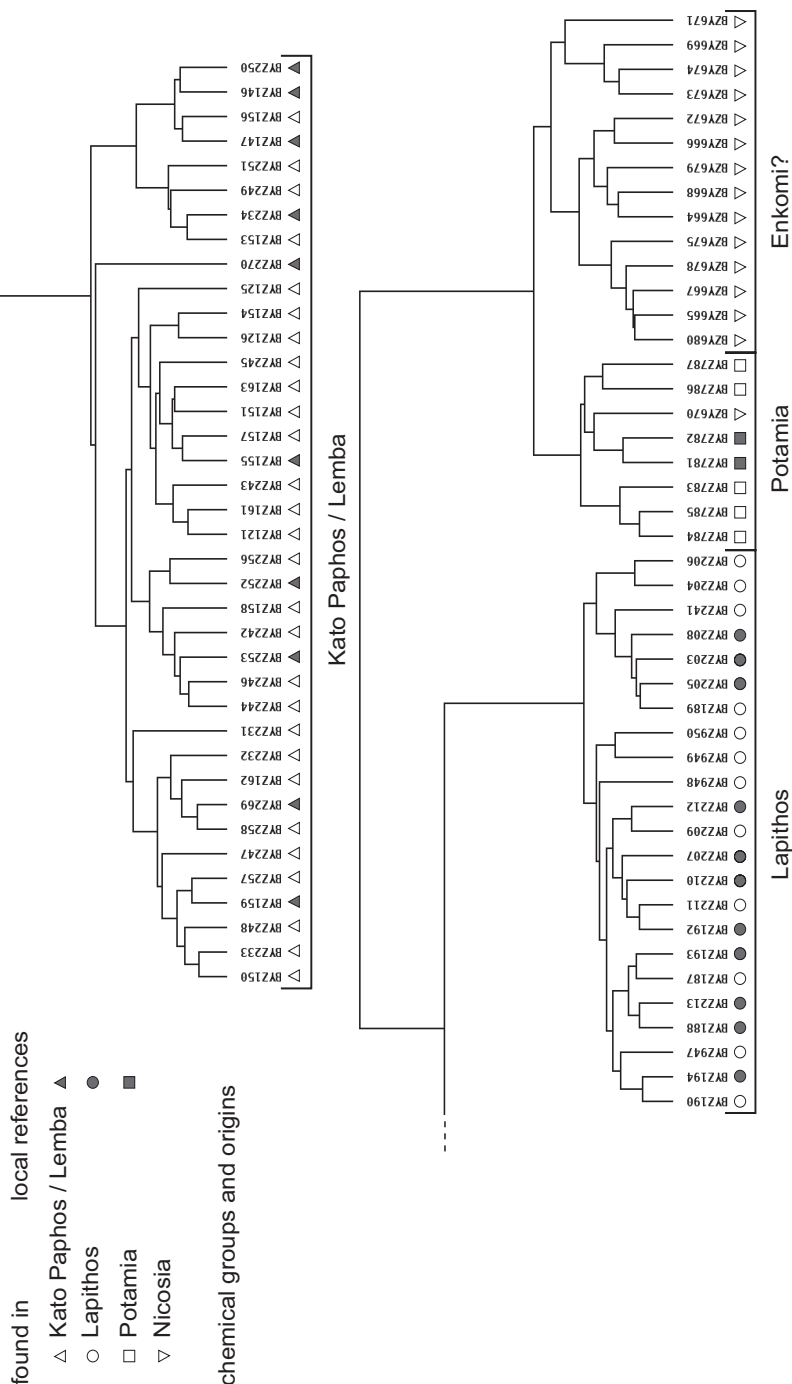


Fig. 5: Classification according to chemical compositions of samples (cf. Figs 6-9 and Table 2) from production contexts in Kato Paphos/Lemba, Lapithos, Potamia and from consumption contexts in the monastery of Saint Theodoros in Nicosia. Samples are identified by their laboratory number. Symbols indicate the site they come from, reference samples for local production (tripod stilt and pottery wasters) are pointed out (black symbols). The main compositional groups are underlined, the corresponding origin (Kato Paphos/Lemba, Lapithos and Potamia) or hypothesis of origin (Enkomi?) is indicated

Ware (von Wartburg 2003, 2007, Redford 2004, this volume, Blackman and Redford 2005). The relationships between Cypriot, Byzantine and Levantine wares are complex, and the role of the Cypriot material in the study of the “Byzantine table wares *koine*” *largo sensu* has been fundamental.

Chemical analyses contributed to this study, by re-defining productions on the basis of the composition of the clay material used by the potters. They provided tools for research both on archaeologically attested workshops, and on wares manufactured in workshops not located so far. In the middle, late and post-Byzantine periods, workshops of glazed table wares, decorated with the sgraffito or slip-painting technique, are archaeologically known in or around Paphos, Lapithos, Fama-gusta and Nicosia⁷ (Megaw and Jones 1983, Papanikola Bakirtzis 1989, 1993,

Potamia, common wares		
BZY781	François and Vallauri 2001	// p. 542 fig. 9 n° 1
BZY782	François and Vallauri 2001	// p. 542 fig. 9 n° 1
BZY783	Vallauri 2004	// p. 232 fig. 1
BZY784	Vallauri 2004	// p. 232 fig. 3
BZY785	Vallauri 2004	// p. 232 fig. 1
	François and Vallauri 2001	// p. 529 fig. 1
BZY787	Vallauri 2004	// p. 234 fig. 4
Lemba, table wares		
BYZ121	von Wartburg 1997	p. 334 fig. 8 CLBF 1.43
BYZ126	von Wartburg 1997	p. 330 fig. 3 CLBF 1.44 ; pl. LXVIII fig. 1 n°1
BYZ151	von Wartburg 1997	p. 330 fig. 7 CLBF 4.2
BYZ153	von Wartburg 1997	p. 330 fig. 3 CLBF 2.27
BYZ158	von Wartburg 1997	p. 330 fig. 7 CLBF 2.20
BYZ159	von Wartburg 1997	p. 330 fig. 7 CLBF 2.21
BYZ161	von Wartburg 1997	p. 334 fig. 6 CLBF 4.3
BYZ163	von Wartburg 1997	p. 330 fig. 4 CLBF 2.32
BYZ231	von Wartburg 1997	p. 332 fig. 5 CLBF 2.25
BYZ233	von Wartburg 1997	p. 334 fig. 8 CLBF 1.28
BYZ234	von Wartburg 1997	p. 330 fig. 4 CLBF 1.1
Kouklia, sugar moulds and molasse jar		
BYZ262	von Wartburg this volume	TST 373.Z1
BYZ263	von Wartburg this volume	// CH 5.Z495
BYZ267	Maier and von Wartburg 1986	// p. 58, pl. XV:2
BYZ291	von Wartburg this volume	TST 277.Z1
BYZ292	von Wartburg this volume	// CH 10.Z1

Table 2: Samples illustrated in other papers

7. Other workshops were mentioned, for instance in Soloi and Limassol, but we do not know about the associated material (Papanikola-Bakirtzi 1996, Violaris pers. comm.).



1996, von Wartburg 1997, Cook and Green 2002, Violaris 2004, François and Valauri 2010, Green *et al.* forthcoming, Cook this volume). An example of chemical definition and differentiation of Cypriot productions is given by the classification shown in Fig. 5 (see Figs 6-9, Table 2 and annex for information on the samples considered, and on chemical analysis and classification techniques). Samples taken from production contexts in Kato Paphos - Lemba and Lapithos (Figs 6-7, Megaw and Jones 1983, Papanikola-Bakirtzis 1996, von Wartburg 1997, Waksman and

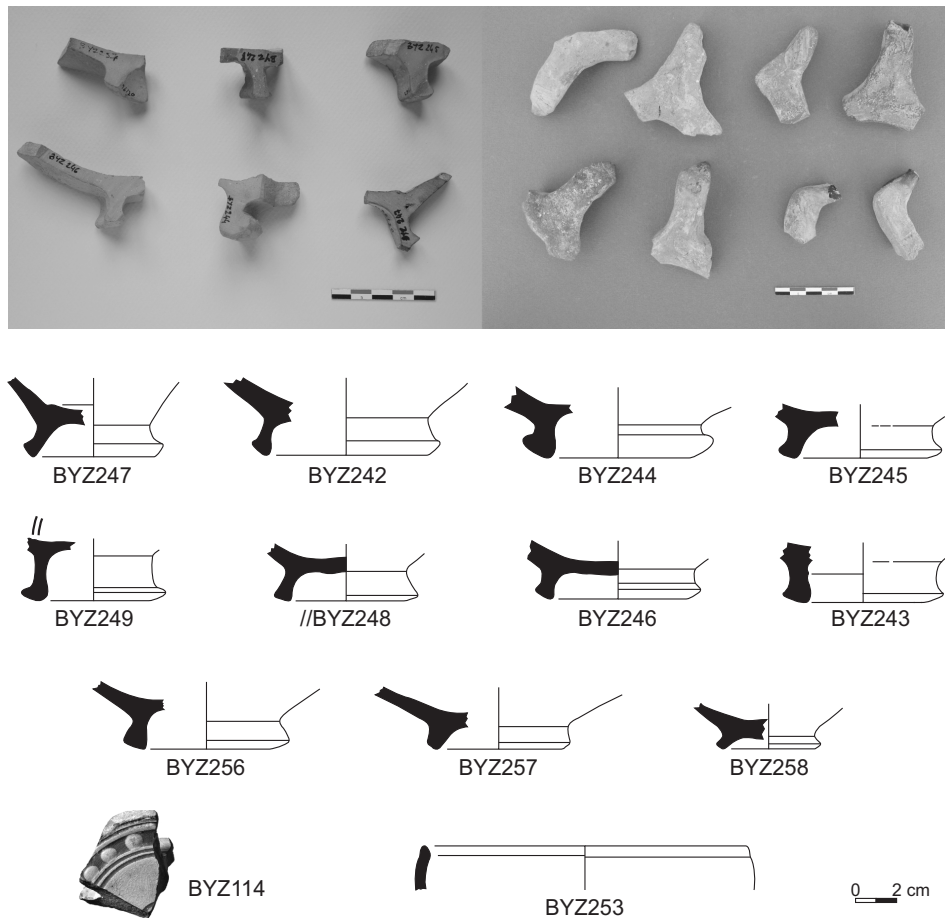


Fig. 6/Colour Pl. XVIIIc: Examples of samples analyzed from Kato Paphos/Lemba workshop.

Top: tripod stilts (right) and sherds showing various fabrics and feet profiles (left)
(photo S.Y. Waksman)

Bottom: examples of profiles (S. Elaigne, C. Brun, S.Y. Waksman) and sample BYZ114 previously related to the “Zeuxippus Ware” *stricto sensu* and shown to belong to the production of Kato Paphos - Lemba (photo not to scale, after Waksman and François 2004-2005 and von Wartburg 1997)





Fig. 7/Colour Pl. XIXa: Samples analyzed from Lapithos workshop, including tripod stilts and unfinished (biscuit-fired) wares (from left to right, top to bottom): BYZ208, 205, 206, 207, 204, 203, 213, 212, 211, 210, 209 (photo Y. Montmessin)

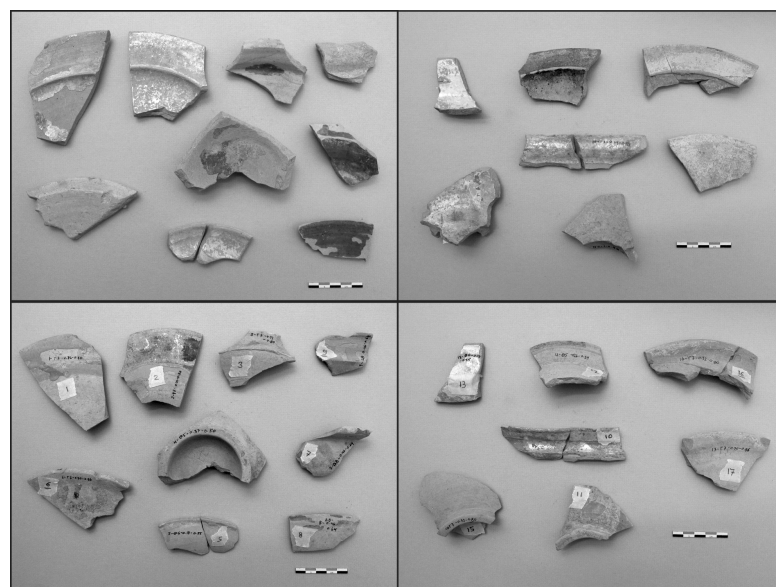


Fig. 8/Colour Pl. XIXb: Samples analyzed from the monastery of Saint Theodoros in Nicosia, front (top) and reverse (bottom) sides (photos S. Y. Waksman)

Left (from left to right, top to bottom): BZY664, 665, 666, 672, 669, 667, 670, 668, 671

Right (from left to right, top to bottom): BZY676, 675, 679, 673, 680, 678, 674

Except for one (BZY670, closer chemically to the production of Potamia), all samples belong to a single chemical group. Their origin is as yet unknown; typological details relate them to ceramics tentatively attributed to Enkomi (Papanikola-Bakirtzis 1989)



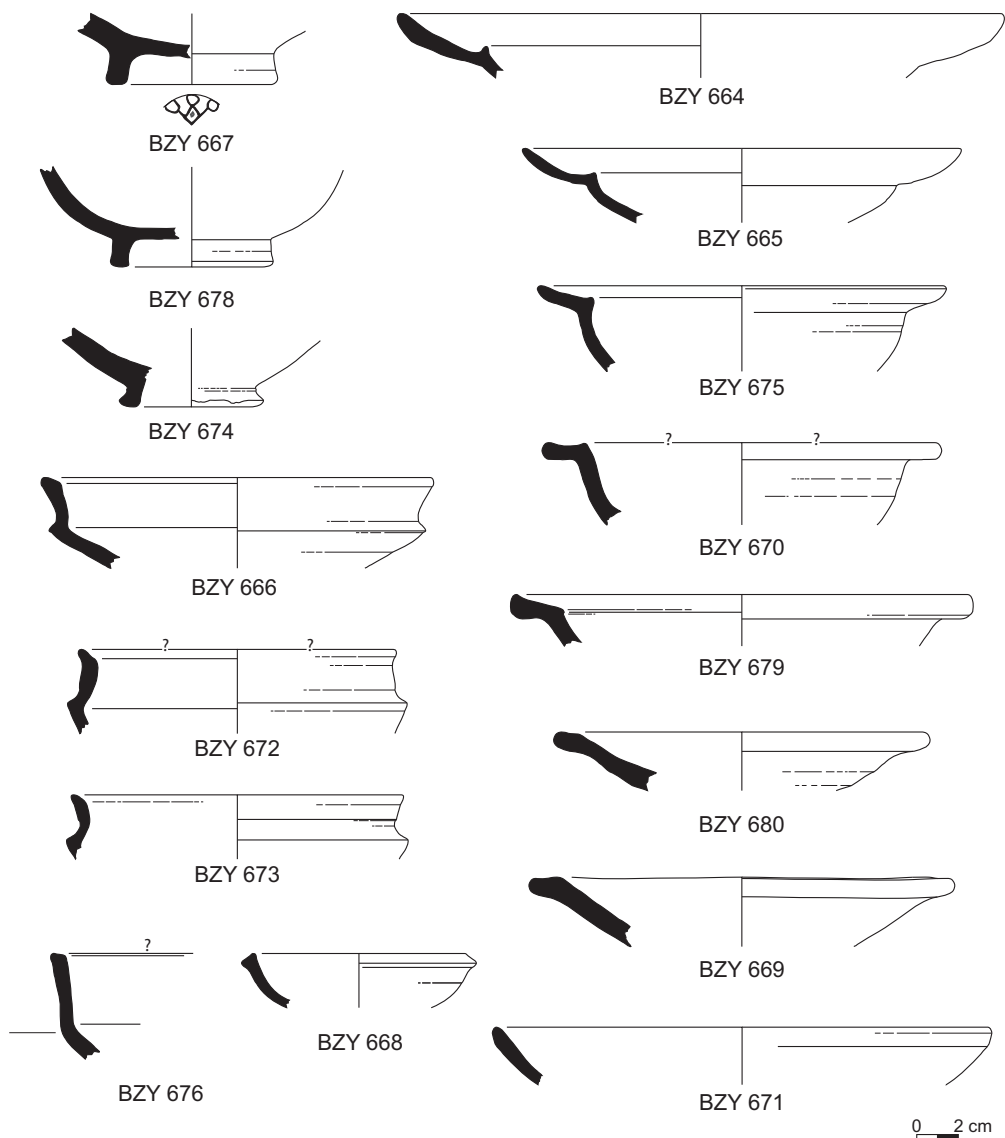


Fig. 9: Samples analyzed from the monastery of Saint Theodoros in Nicosia
(C. Brun, J. Burlot, S.Y. Waksman)



François 2004-2005, Waksman and von Wartburg 2006) may easily be differentiated from a group of samples coming from consumption contexts in the Cistercian monastery of Saint Theodoros in Nicosia (Figs 8-9, Flourentzos 2004-2005).⁸ The latter are characterized by the frequent use of a red slip over a buff body (Fig. 8), similar to examples tentatively associated by Papanikola-Bakirtzis (1989) with workshops in Enkomi.⁹ They are closer chemically to common wares manufactured in Potamia¹⁰ (François and Vallauri 2001, Vallauri 2004, Table 2), a feature which would be explained by the location of both Enkomi and Potamia in the alluvial plain of the Gialias river (Devillers *et al.* 2006). The identification of this new chemical group to the production of Enkomi needs to be confirmed by further research. But the attribution to this production of different wares, such as the so-called “wedding bowls” for instance, may already be tested.

The constitution of chemical reference groups previously gave us the opportunity to address various hypotheses concerning Cypriot workshops. Wares initially integrated by A.H.S. Megaw in his definition of the type “Zeuxippus Ware” (Megaw 1968) were separated by chemical analyses from the “Zeuxippus Ware *stricto sensu*” and attributed to the area of Paphos (e.g. Fig. 6 BYZ114, Waksman and François 2004-2005). Conversely, the tentative attribution to Cyprus of several Byzantine types widespread in the twelfth and thirteenth centuries (Boas 1994, Blackman and Redford 2005), such as the “Zeuxippus Ware” and the main “Middle Byzantine Production”, including “Fine Sgraffito Ware”, “Aegean Ware” and others, was reconsidered and other hypotheses of origin tested or put forward (Waksman and François 2004-2005, Waksman and von Wartburg 2006, Waksman *et al.* forthcoming). In the case of the main “Middle Byzantine Production”, samples from Cypriot sites played an essential role in showing that different types, previously unrelated and treated as separate productions in reports and publications, originated in fact from the same workshop(s) (Waksman and von Wartburg 2006).

The diffusion of Cypriot wares is well attested in the Eastern Mediterranean and occasionally reached more distant areas such as the Western Mediterranean and the Black sea, as indicated for instance by examples found in Marseille and in the Novy Svet shipwreck (Vallauri and Démians d’Archimbaud 2003, Waksman *et al.* 2009). Next to the typical Cypriot types, wares found in large

8. Ceramics from these contexts, excavated by E. Zachariou-Kaila, were recently presented, together with material from other excavations in Nicosia, in the exhibition “Fragments: Ceramic finds from Byzantine and Medieval Nicosia” (Department of Antiquities of Cyprus and Leventis Municipal Museum of Nicosia). Ceramic material from Saint Theodoros will be published by R.S. Gabrieli (in preparation).

9. This association was based on visual similarity with reference material from Enkomi.

10. A detailed presentation of the Potamia results is forthcoming.



quantities in Crusader Acre, initially related to Paphos wares and to the “Zeuxippus family”, were shown to differ chemically from them (Stern and Waksman 2003, Waksman *et al.* 2008) and attributed to the workshop of Anaia/Kadikalesi in Western Asia Minor (Waksman 2013).

Different ceramic products, different clay materials: examples from the Paphos area (Figs 6, 10-11, Tables 2-4)

Pottery manufacture took place in different locations in the area of Paphos. For the “late” periods, evidence of production was found for late Roman amphorae LRA1 in Kato Paphos (Fig. 10, Karagheorgis 1989, Demesticha and Michaelides 2001); for medieval glazed wares at the site of Fabrika in Paphos (Green and Cook 2002, Green *et al.* forthcoming, Cook this volume), in the nearby village of Lemba (Papanikola Bakirtzis 1993, 1996, von Wartburg 1997) and possibly in Palaipaphos/Kouklia (von Wartburg 1997); for sugar pots at the cane sugar refinery of the latter site (Maier 1978, von Wartburg 2010) and possibly in Lemba. For these three categories of pottery - table wares, amphorae, industrial ceramics -, different clayey materials were used, and probably at least to some extent chosen according to the function of the wares. For instance sugar moulds, for which porosity plays an important role in the sugar production

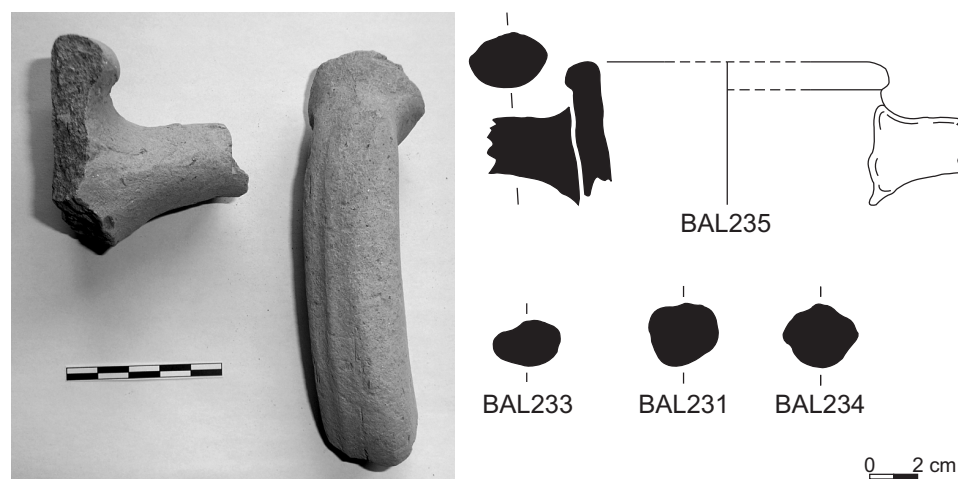


Fig. 10: Samples analyzed from Paphos LRA1 amphorae workshop (Lyon database, Empeur and Picon prospectings)
 Left: samples BAL236 (left), BAL231 (right) (photo S.Y. Waksman, courtesy M. Picon and J.-Y. Empeur).
 Right: rim and handle profiles (C. Brun)





Name	CaO	Fe ₂ O ₃	TiO ₂	K ₂ O	SiO ₂	Al ₂ O ₃	MgO	MnO (Na ₂ O) (P ₂ O ₅)	Zr	Sr	Rb	Zn	Cr	Ni	(La)	Ba	V	Ce		
Potamia workshop																				
BYZ784	19.18	8.38	0.792	2.05	47.35	14.19	5.79	0.1255	1.79	0.17	114	605	59	85	235	171	<ldd	252	170	52
BYZ785	18.97	8.58	0.798	1.70	47.27	14.19	5.95	0.1235	2.07	0.17	112	569	58	84	245	169	<ldd	313	173	55
BYZ783	18.97	8.25	0.777	2.27	47.97	13.98	5.50	0.1188	1.79	0.18	111	735	67	94	227	162	<ldd	252	180	54
BYZ781	20.16	7.85	0.734	1.85	47.86	13.18	6.19	0.1247	1.72	0.17	115	420	65	85	280	181	<ldd	205	167	56
BYZ782	21.54	7.82	0.725	1.73	47.50	12.52	6.09	0.1296	1.62	0.16	104	491	51	86	256	149	<ldd	236	173	50
BZY670	22.18	7.80	0.750	2.30	46.63	13.34	5.06	0.1390	1.26	0.26	122	588	68	103	256	169	<ldd	322	191	48
BYZ786	19.90	7.61	0.778	1.28	48.21	13.55	5.95	0.1224	2.22	0.19	126	562	49	77	322	180	<ldd	256	160	59
BYZ787	17.02	7.94	0.760	1.63	50.94	13.62	5.80	0.1442	1.82	0.13	103	471	46	84	353	160	<ldd	259	174	52
m	19.74	8.03	0.764	1.85	47.97	13.57	5.79	0.1285	1.79	0.18	113	555	58	87	272	168	nd	262	174	53
σ	1.62	0.34	0.027	0.34	1.30	0.57	0.36	0.0088	0.29	0.04	8	97	8	8	44	11	nd	38	9	3
Enkomi ?																				
BZY680	23.51	7.31	0.735	1.95	47.02	12.64	4.46	0.1480	1.72	0.19	118	558	58	97	249	149	<ldd	330	152	68
BZY665	22.13	7.53	0.754	2.04	47.54	13.13	4.54	0.1519	1.60	0.24	118	557	60	104	246	143	<ldd	339	160	77
BZY667	24.52	7.57	0.742	1.73	45.84	12.97	4.45	0.1510	1.46	0.19	125	589	52	94	252	156	<ldd	297	150	79
BZY678	21.25	7.54	0.751	2.15	48.61	12.97	4.66	0.1482	1.46	0.21	125	555	67	101	258	158	<ldd	241	150	83
BZY675	24.27	7.11	0.726	2.11	46.95	12.55	4.38	0.1450	1.33	0.18	126	678	68	91	286	165	<ldd	340	146	67
BZY664	28.84	6.44	0.663	1.86	43.76	11.87	4.20	0.1513	1.36	0.23	131	591	49	87	262	168	<ldd	367	144	68
BZY668	26.58	6.43	0.663	2.29	45.94	11.78	4.23	0.1406	1.19	0.24	131	707	58	91	266	165	<ldd	374	164	62
BZY679	25.94	6.87	0.693	1.93	45.94	12.03	4.59	0.1512	1.43	0.22	115	546	59	92	241	152	<ldd	279	152	61
BZY666	25.25	6.80	0.699	1.77	45.49	12.49	4.97	0.1514	1.45	0.39	125	665	55	86	261	156	<ldd	440	166	69
BZY672	25.15	6.96	0.721	2.11	45.16	12.90	4.83	0.1353	1.33	0.34	123	640	59	99	236	151	<ldd	412	187	58
BZY673	28.94	6.16	0.676	1.99	43.49	12.15	4.83	0.1287	1.12	0.22	120	659	50	92	217	159	<ldd	347	153	51
BZY674	29.46	6.33	0.680	1.93	43.00	12.06	4.77	0.1301	1.15	0.17	123	811	56	89	220	148	<ldd	271	163	40
BZY669	29.91	7.02	0.664	1.77	41.25	11.71	5.73	0.1402	1.28	0.18	111	839	55	93	201	135	<ldd	254	148	46
BZY671	25.13	7.06	0.716	2.15	45.74	12.63	4.30	0.1472	1.49	0.31	129	645	64	96	261	159	<ldd	377	136	28
m	25.78	6.94	0.706	1.98	45.41	12.42	4.64	0.1443	1.38	0.24	123	646	58	94	247	155	nd	333	155	61
σ	2.70	0.46	0.033	0.17	1.96	0.48	0.39	0.0081	0.17	0.07	6	92	6	5	22	9	nd	59	12	16

Table 3: Chemical compositions of samples from Kato Paphos - Lemba, Lapithos, Potamia and Nicosia, samples are ranked as in the classification (Fig. 5).

Major and minor elements are given in oxides weight %, trace elements in parts per million (ppm); m: mean, σ : standard deviation, n: number of samples, ld: detection limit, nd: not determined. Elements between brackets are indicative.

Data for Paphos and Lapithos were previously published in Waksman and François (2004-2005) and Waksman and von Wartburg (2006)

process, seem to be preferably made out of calcareous clays (Fig. 11, Table 4).¹¹ Amphorae are made out of even more calcareous materials, and are further characterized by variable but usually high concentrations in strontium, which differentiate them from Cilician LRA1 (Waksman *et al.* 2014), and in chromium, probably due to minerals brought by streams from the nearby Troodos mountains (Table 4). In contrast, table wares do not have any ultra-basic features and are less calcareous, whether made in Kato Paphos - Lemba, in Nea Paphos - Fabrika or coming from Palaipaphos - Kouklia. The clayey material used for table wares is fairly variable (also in fabric, see Fig. 6 top left), especially in its contents of calcium and related elements, as may be seen within our sampling from Paphos/Lemba only (Fig. 5, Table 3). However, samples from the three sites are all included in the same range of compositions: they do not seem to

11. Further archaeometric research on Cypriot and Levantine sugar pots will be carried out in the framework of the POMEDOR project, see *infra*.



Name	CaO	Fe ₂ O ₃	TiO ₂	K ₂ O	SiO ₂	Al ₂ O ₃	MgO	MnO (Na ₂ O) (P ₂ O ₅)	Zr	Sr	Rb	Zn	Cr	Ni	(La)	Ba	V	Ce		
Kouklia and Lemba sugar pots																				
BYZ259	29.43	6.57	0.580	1.91	44.90	11.72	3.80	0.1568	0.52	0.18	109	763	40	85	121	102	28	614	127	57
BYZ260	19.62	6.13	0.560	1.78	55.98	11.47	3.20	0.2162	0.72	0.16	113	496	47	79	154	98	20	369	124	59
BYZ261	22.85	8.73	0.683	1.26	45.53	13.76	5.43	0.1300	1.29	0.14	89	732	38	102	188	86	22	319	182	48
BYZ262	17.42	6.66	0.634	2.07	55.76	13.08	3.15	0.1391	0.71	0.19	115	671	57	89	109	93	28	481	137	60
BYZ263	5.77	8.96	0.786	2.52	59.13	17.35	3.53	0.0882	1.61	0.12	97	292	57	86	141	77	22	177	206	51
BYZ264	18.32	8.86	0.670	1.78	50.54	13.97	4.10	0.1111	1.30	0.17	92	683	44	86	159	85	19	268	193	42
BYZ265	16.30	8.56	0.734	1.91	51.65	14.69	4.52	0.1138	1.19	0.13	108	678	53	99	177	88	22	411	181	44
BYZ266	25.28	8.11	0.638	1.54	45.48	12.66	4.64	0.1205	1.16	0.19	85	780	41	93	148	77	16	273	168	43
BYZ267	12.98	9.07	0.721	1.97	54.32	15.40	3.81	0.1159	1.28	0.16	105	551	49	71	154	92	18	164	207	59
BYZ268	11.48	10.14	0.751	1.54	53.49	17.06	3.86	0.1318	1.24	0.13	96	466	47	93	144	97	27	347	206	52
BYZ290	14.11	8.86	0.509	2.05	50.90	15.48	6.45	0.1147	1.28	0.08	55	650	42	121	142	82	13	246	186	38
BYZ291	11.54	8.42	0.805	1.76	56.62	15.15	3.96	0.1112	1.26	0.14	117	484	54	95	191	89	27	713	188	43
BYZ292	16.02	8.85	0.695	1.29	53.08	14.39	4.02	0.1236	1.19	0.13	101	722	44	79	149	92	15	431	177	40
BYZ293	15.88	9.36	0.719	1.55	51.33	14.98	4.56	0.1258	1.21	0.11	110	626	53	94	153	92	25	144	203	53
Paphos LRA1 workshop																				
BAL222	29.03	5.51	0.488	1.24	47.87	10.11	3.73	0.2930	1.25	0.28	98	648	59	75	405	104	<ldd	260	107	40
BAL223	25.01	7.27	0.661	1.18	48.61	11.33	3.92	0.1648	1.51	0.16	108	781	34	73	246	95	<ldd	277	137	51
BAL224	22.53	6.16	0.540	1.14	50.90	11.12	5.79	0.2876	1.16	0.21	95	671	33	76	202	110	<ldd	262	110	46
BAL225	26.88	6.44	0.527	1.23	48.64	10.97	3.22	0.2155	1.47	0.23	96	748	44	78	247	92	<ldd	246	131	49
BAL226	24.08	6.72	0.547	1.21	50.48	11.42	3.41	0.2296	1.44	0.26	102	690	47	69	634	103	<ldd	223	135	41
BAL227	26.30	6.14	0.537	1.29	49.51	10.96	3.36	0.2637	1.24	0.23	98	693	50	68	273	107	<ldd	266	115	51
BAL228	24.58	6.57	0.536	1.21	50.19	11.40	3.56	0.2483	1.31	0.21	91	718	40	79	343	116	<ldd	270	133	52
BAL229	25.44	6.66	0.545	1.20	49.06	11.37	3.57	0.2451	1.48	0.24	92	661	40	79	477	108	<ldd	298	135	48
BAL230	24.93	6.94	0.582	1.11	48.91	11.29	4.21	0.2373	1.31	0.23	97	691	36	77	999	107	<ldd	257	123	54
BAL231	27.13	6.59	0.548	1.24	47.52	11.31	3.58	0.2353	1.40	0.26	94	746	52	76	339	97	<ldd	292	110	44
BAL233	24.97	6.33	0.551	1.23	50.38	11.23	3.45	0.2517	1.21	0.24	101	654	34	81	186	112	<ldd	209	122	45
BAL234	24.80	6.34	0.559	1.33	50.14	11.31	3.61	0.2674	1.21	0.26	103	703	43	81	223	109	<ldd	239	124	45
BAL235	26.78	6.70	0.539	1.15	47.94	11.24	3.56	0.2288	1.38	0.29	82	688	50	69	605	101	<ldd	257	120	52
m	25.57	6.49	0.551	1.21	49.24	11.16	3.77	0.2437	1.34	0.24	97	699	43	75	398	105	nd	258	123	48
σ	1.64	0.43	0.039	0.06	1.11	0.35	0.66	0.0329	0.12	0.03	6	40	8	4	232	7	nd	25	10	4

Table 4: Chemical compositions of samples from Paphos LRA1 workshop and of sugar pots and jars from Kouklia and Lemba. Major and minor elements are given in oxides weight %, trace elements in parts per million (ppm); m: mean, σ: standard deviation, n: number of samples, ld: detection limit, nd: not determined. Elements between brackets are indicative

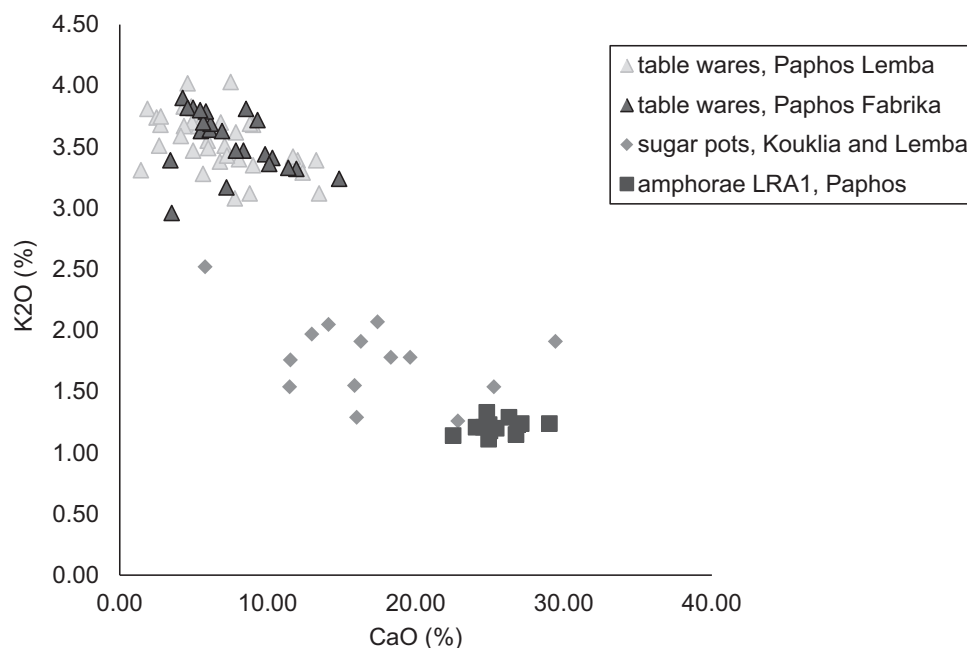


Fig. 11: Productions of the region of Paphos, binary plot calcium - potassium. The diagram shows that different clayey materials were used to manufacture table wares, amphorae, and sugar pots and jars. The latter request further study, as they are very heterogeneous and only a few of them correspond to wasters. Other chemical elements further differentiate them from amphorae, but do not enable us to distinguish between table wares produced in the workshops of Lemba and Fabrika. The variability of calcium contents in table wares is noticeable (see also Fig. 5 and Table 3)

differ chemically in a significant way within this range (Fig. 11).¹² We thus refer to them as “production of the Paphos region” or “Paphos Ware”.

To sum up, in different locations in or around the present city of Paphos similar clayey materials were used to manufacture table wares; on the other hand, materials showing very different chemical features were taken in Paphos to produce different categories of pottery. The latter point, well known for cooking wares, may have been under-estimated for other categories. This example of a rather complex situation reminds one that a single location may have several geochemical “signatures”. It calls for more caution when using chemical reference groups, especially when they do not directly correspond to the wares under study.

12. A detailed presentation of the Fabrika and Kouklia results is forthcoming.



Concluding remarks and further perspectives

Research carried out on ceramics found on Cyprus have been essential in building up our knowledge on medieval ceramics, whether table wares, cooking wares, amphorae or others. Even though many questions still remain open, it has contributed to establishing several results regarding pottery production and diffusion, trade networks, cross influences, some of which have been summarized here. Chemical analyses contributed to this study, by re-defining productions on the basis of the composition of the clay material used by the potters. They helped in distinguishing Cypriot products from imports, identifying typological repertoires and in ascertaining more precisely which types were associated within a same production. In addition, they provided information regarding organization of production, and diffusion of wares, models and techniques. Studies carried out on Cypriot samples contributed for instance in re-defining the main “Middle Byzantine production” and “Zeuxippus related wares”. Chemical reference groups for workshops in the region of Paphos, in Lapithos, Potamia, Dhiorios and elsewhere¹³ have been used and are available to test further hypotheses, as well as groups corresponding to workshops whose location still has to be identified or confirmed (e.g. “Enkomi?” group).

Much of our research has focused so far on proposing new criteria to consider medieval pottery in the Eastern Mediterranean, in terms of productions rather than in terms of types. The two approaches are complementary, but the former seems more adapted if one is to reason on production (associations of types, choice of materials, organization of workshops ...) and diffusion (areas, fluxes, modalities of commercialization ...). Further research may consider not only the circulation of goods, but also those of techniques and practices, especially those connected to food. Pottery as an approach to food and food-ways has still seldom been used in the medieval Eastern Mediterranean, with some noticeable exceptions (e.g. Papanikola Bakirtzis 2005, Gabrieli 2006, 2007, this volume, Vroom 2003, 2009). Food procurement as seen through products carried in transport amphorae, ways of preparing, cooking and consuming food as illustrated by common, cooking and table wares will be further explored in the framework of the POMEDOR project involving several contributors to this volume.¹⁴ Cypriot material will be of particular interest, especially through the detailed analysis of forms, functions and origins in their relationships to food and food-ways of Cypriot and imported cooking wares from closed contexts such as Odos Ikarou in Paphos (Raptou 2006, Gabrieli 2008). Another line of research addresses the introduction of new styles and technological features in locally produced medieval table wares, which may reflect on new tastes and

13. Data on Cypriot pottery in the database of the “Laboratoire de Céramologie” in Lyon.

14. More information is available on www.pomedor.mom.fr.



dining habits (Waksman forthcoming b). This approach could engender for instance new perspectives on the influence on Cypriot productions of “Port Saint Symeon Ware”, with its stylistic (von Wartburg 2003, 2007, Redford 2004, this volume) and technological (Capelli *et al.* 2005, 2006) “mix” of Eastern and Western features.

Acknowledgements

My research in Cyprus would not have been possible without the help of many archaeologists and ceramologists, to whom I would like to pay tribute to and to thank warmly for fruitful collaboration: the late A.H.S. Megaw and H. Catling, D. and Ch. Bakirtzis, M.-L. von Wartburg and F. Maier, S. Gabrieli, H. Cook, E. Zachariou-Kaila, E. Raptou, V. François, L. Vallauri. Many thanks are due to the Department of Antiquities of Cyprus, and to the staff of the “Laboratoire de Céramologie” in Lyon. This research was partly funded by the French National Research Agency (ANR) through the POMEDOR project, and we acknowledge the support of the ANR under reference ANR-12-CULT-0008.

Annex: chemical analysis and classification of samples according to chemical composition

Chemical analysis was carried out by Wavelength Dispersive - X Ray Fluorescence (WD-XRF) in the “Laboratoire de Céramologie” in Lyon. Samples are cut out with a diamond-coated saw, in a way which alters neither the profile nor the decoration of the sherd. Glaze and slip, when present, and an external layer, whose chemical composition is more liable to be altered during burial, are removed. After heating at 950°C (removal of water, volatiles, organics), cooling and grinding, 800 mg of ceramic powder is mixed with 3200 mg of flux (lithium metaborate and tetraborate). The mix is heated to liquid state in a gold and platinum crucible and is then cast into a bead. Analyses are carried out on these homogeneous beads, of fixed geometry, which correspond to a mean chemical composition representative of the initial material. Twenty-four elements are quantified, after calibration of the set-up using forty geological standards (CRPG, USGS, NIST, British Chemical Standards...). The calibration is frequently checked using three in-house pottery standards.

Seventeen elements are usually taken as active variables in multivariate statistical treatments used to classify ceramics into groups of similar chemical composition. These include major and minor elements in ceramics (MgO, Al₂O₃, SiO₂, K₂O, CaO, TiO₂, MnO, Fe₂O₃) and trace elements having various geo-





chemical behaviour (V, Cr, Ni, Zn, Rb, Sr, Zr, Ba, Ce). Classifications enable us to constitute groups of samples having similar chemical compositions, which under certain conditions on the geological context may correspond to the production of the same workshop (Picon 1993). They are obtained in our case by hierarchical clustering analysis applied to standardized data, using euclidian distance and average linkage (e.g. Picon 1984). The corresponding diagram, called a dendrogram, initially represents each sample as a vertical bar at the base of the figure (Fig. 5). The two samples closest in composition are joined by a horizontal link, links closer to the base indicating closer similarity of the samples. They are then fused into a “pseudo sample” of average composition. Each pair of samples and “pseudo-samples” are then compared again, and fused by the same procedure. As samples become less similar, the level of linkage moves up the diagram until all the samples are connected. This constitutes the dendrogram, which shows clusters of samples which are similar connected towards the base, while clusters connected high up the dendrogram are less closely related. This representation is convenient, as it takes all the elements considered into account, but is not sufficient in itself to define compositional groups. Accurate interpretation still requires examination by the archaeological scientist of the individual data and of elemental differences between clusters.



BIBLIOGRAPHY

- Aibabina, E. A.**, “Keramika iz raskopok zolotoordynskogo poseleniya bliz Feodosii”, *Polivnaya keramika Sredizemnomor'ya i Prichernomor'ya X-XVIII vv.*, Kiev: Stylos, **2005**, pp. 229-246 (in Russian).
- Al-Saad, Z.**, “Chemical Composition and Manufacturing Technology of a Collection of Various Types of Islamic Glazes Excavated from Jordan”, *Journal of Archaeological Science* 29 (2002), pp. 803-810.
- Arbel, B.**, “Cypriot Population under Venetian Rule (1473-1571): A Demographic Study”, *Μελέται και Υπομνήματα*, I. Nicosia, **1984**, pp. 184-215.
- Armstrong, P. and Hatcher, H.**, “Byzantine and allied pottery, phase 2: Past work on materials analysis and future prospects”, in *Materials Analysis of Byzantine Pottery*, Washington D.C., **1997**, pp. 1-8
- Armstrong, P.**, “Iconographic observations of figural representation on Zeuxippus Ware”, in: P. Armstrong (ed.), *Ritual and Art. Byzantine Essays for Christopher Walter*, London, **2006**, pp. 75-93.
- Armstrong, P. and MacDonald, A.**, “Catalogue of Hellenistic and Later Pottery”, in: J. J. Coulton (ed.), *The Balboursa Survey: Detailed Studies and Catalogue*, London: British Institute at Ankara, **2012**, pp. 241-310.
- Armstrong, P. and Sekunda, N.V.**, “A Byzantine Soldier from the Crusading Era”, in: *Quaestiones Medii Aevi Novae, vol. II Arms and Armour*, Kraków, **2006**, pp. 10-21.
- Ashtor, E.**, “Levantine sugar industry in the later Middle Ages. An example of technological decline”, *Israel Oriental Studies*, 7 (1977), pp. 226-276.
- Avisar, M. and Stern, E. J.**, *Pottery of the Crusader, Ayyubid, and Mamluk Periods in Israel* [Israeli Antiquities Authority Reports, 26], Jerusalem, **2005**.
- Balard, M.**, *Notai genovesi in Oltremare: Atti rogati a Cipro da Lamberto di Sambuceto (11 Ottobre 1296 - 23 Giugno 1299)*, ed. M. Balard, Collana Storica di Fonti e Studi 39, Genoa, **1983**.
- Balfet, H.**, “Ethnographical Observations in North Africa”, in F. R. Matson (ed.) *Ceramics and Man*, London, **1965**, pp. 161-177.
- Ballian, A. and Drandaki, A.**, A Middle Byzantine Silver Treasure, *Μουσείο Μπενάκη* 3 (2003), pp. 47-80.
- Baltrušaitis, J.**, *Das phantastische Mittelalter. Antike und exotische Elemente der Kunst der Gotik*, Berlin, **1994**.
- Baydur, N.**, “Tarsus-Donuktaş Kazısı 1986”, *IX. Kazı Sonuçları Toplantısı II* (1987), pp. 253-277.
- Bear, L. M.**, *The Mineral Resources and Mining Industry of Cyprus, Bulletin No. 1*, Ministry of Commerce and Industry, Geological Survey Department, Nicosia, **1976**, pp. 54-64, 86 and 117-125.
- Beaton, R.**, *The Medieval Greek Romance*, London, **1996**, 2nd ed.
- Bedaux, R. and van der Waals, D.**, “Aspects of Life-Span of Dogon Pottery”, *Newsletter Department of Ceramic Technology Leiden University* 5 (1987), pp. 137-153.

- Berman, E. K.**, “Glazed Pottery”, in Vassilios Tzaferis, *Excavations at Capernaum Volume 1, 1978-1982* Winona Lake, Indiana: Eisenbrauns, **1989**, pp. 115-130.
- Berti, F.**, *Storia della ceramica di Montelupo. Uomini e fornaci in un centro di produzione dal XIV al XVIII secolo*, vol. I, Montelupo, **1997**.
- Berti, F.**, (ed.), *Il museo della ceramica di Montelupo; storia, tecnologia, collezioni / The Ceramics Museum of Montelupo: History, Technology, Collections*, Florence, **2008**.
- Bilici, S.**, “Alanya-Selçuklu Sarayı Seramikleri”, in: *Uluslararası Sanat Tarihi Sempozyumu. Prof. Dr. Gönül Öney'e Armağan*, Izmir: Ege Üniversitesi Edebiyat Fakültesi Sanat Tarih Bölümü, **2002**, pp. 139-153.
- Bilici, S.**, “Bazı Örnekleriyle Alanya Kalesi Kazılarında Bulunan İthal Kıbrıs Sırlı Seramikleri”, *Adalya* 11 (**2008**), 375-397.
- Bilici, S.**, “Alanya Kalesi Kazılarında Bulunan Ortaçağ Sırlı Seramikleri”, in: A. G. Türkmenoğlu et al. (eds.), *Türkiye Arkeolojisi'nde Seramik ve Arkeometrik Çalışmalar* [I. OTDÜ Arkeometri Çalıştayı], Ankara, **2009**, pp. 102-111.
- Bilici, S.**, “Alanya Kalesi Kazılarında Bulunan Bizans Sırlı Seramikleri”, in: S. Doğan and M. Kadiroğlu (eds.), *Bizans ve Çevre Kültürler. Prof. Dr. S. Yıldız Ötügen'e Armağan*, Istanbul: Arkeoloji ve Sanat Yayınları, **2010**, pp. 119-121, drawings 12-13, fig. 17-18.
- Blackman, M. J. and Redford, S.**, “Neutron Activation Analysis of Medieval Ceramics from Kinet, Turkey, Especially Port Saint Symeon Ware,” *Journal of Ancient Near Eastern Studies* 42 (**2005**), pp. 83-186.
- Bliznyuk, S. V.**, “La dolce vita dei Genovesi a Cipro”, in G. Airdi (ed.), *Le vie del Mediterraneo*, Genoa **1998**.
- Bloch, F.**, “Hirbat al-Minya: Die unglasierte Keramik”, in: *Studien zur spätantiken und islamischen Keramik. Hirbat al-Minya – Baalbek – Resafa*, eds F. Bloch, V. Daiber and P. Knötzle, Rahden/Westf. **2006**, pp. 1-106.
- Boas, A. J.**, “The Import of Western Ceramics to the Latin Kingdom of Jerusalem”, *Israel Exploration Journal* 44 (**1994**), pp. 103-122.
- Bocharov, S., Maslovskiy, A.**, “Byzantine Glazed Pottery in the Cities of the North Black Sea Region in the Golden Horde Period (second half of 13th century-end of 14th century)”, *Atti del IX Congresso Internazionale sulla Ceramica Mediterraneo*, Venezia: All'Insegna del Giglio, **2009**, pp. 256-260.
- Böhlendorf-Arslan, B.**, “Keramik der byzantinischen und osmanischen Epoche aus der Polis Kyaneai”, in: F. Kolb (ed.), *Die Siedlungskammer des Yavu-Berglandes. Berichte über die Ergebnisse der Feldforschungskampagne 1995 auf dem Territorium der zentral-lykischen Polis Kyaneai* [Lykische Studien 5. Asia Minor Studien 41], Bonn: Dr. Rudolf Habelt, **2000**, pp. 137-162.
- Böhlendorf-Arslan, B.**, *Glasierte byzantinische Keramik aus der Türkei*, Istanbul, **2004**.
- Böhlendorf-Arslan, B.**, *Spätantike, byzantinische und postbyzantinische Keramik* [Staatliche Museen zu Berlin – Preußischer Kulturbesitz Skulpturensammlung und Museum für Byzantinische Kunst. Bestandskataloge, Band 3], Wiesbaden: Reichert **2013**.
- Borchhard, J.** (ed.), *Myra. Eine lykische Metropole in antiker und byzantinischer Zeit* [Istanbuler Forschungen 30], Mainz: von Zabern, **1975**.

- Borchardt, K.**, “Zucker und Mohren: Zur Krise der Johanniter auf Zypern im 15. Jahrhundert”, in: *Ordines Militares 16, The Military Orders in Times of Change and Crisis*, Torun **2011**, pp. 191-212.
- Borchardt, K., Luttrell, A. and Schöffler, E.**, *Documents concerning Cyprus from the Hospital's Rhodian archives: 1409-1459*, [Cyprus Research Centre, Texts and Studies in the History of Cyprus, LXVI] Nicosia, **2011**.
- Brubaker, L.**, Gesture in Byzantium, *Past and Present, Supplement 4 (2009)*, pp. 36-56.
- Bustron, F.**, “Chronique de l'île de Chypre”, ed. by R. de Mas-Latrie, *Collection des documents inédits sur l'histoire de France: Mélanges historiques*, Paris, V (**1886**).
- Burke, P.**, “The Language of Gesture in Early Modern Italy”, in: J. Bremmer and H. Roodenburg (eds.), *A Cultural History of Gesture: From Antiquity to the Present Day*, Cambridge, **1991**, pp. 71-83.
- Buxeda i Garrigos, J.**, “Alteration and Contamination of Archaeological Ceramics: The Perturbation Problem”, *Journal of Archaeological Science* 26 (**1999**), pp. 295-313.
- Canal et al. E.**, “La lavorazione dello zucchero a Venezia documentata dal ritrovamento di forme e cantarelli nella laguna veneta”, *Padusa* 12 (**1976**), pp. 125-136.
- Capelli, C., Cabella, R., Riccardi, M. P. and Waksman, Y.**, “Caratterizzazione attraverso microscopia ottica, SEM/EDS e XRF di ceramiche graffite policrome mediorientali di XII-XIII secolo (*Port Saint Symeon Ware*) con ingobbio ‘quarzoso’ rinvenute a Beirut, Genova et Marsiglia”, in *Atti del III Congresso Nazionale di Archeometria*, Bologna, **2005**, pp. 193-201.
- Capelli, C., Richarté, C., Vallauri, L., Waksman, Y., and Gavagnin, S.**, “*Port Saint Symeon Ware* da Genova, Marsiglia e Beirut: dati archeologici ed archeometrici”, in *Atti dei XXXVII e XXXVIII Convegni internazionali della ceramica, Albisola 2004-2005*, **2006**, pp. 81-88.
- Casson, S.**, “The Modern Pottery in the Aegean”, *Antiquity* 12 (**1938**), pp. 464-473.
- C.A.T.H.M.A.**, “Importations de céramiques communes méditerranéennes dans le midi de la Gaule (V^e-VII^e s.)”, in *A cerâmica medieval no Mediterrâneo Occidental, IV Congresso Internacional*, Mértola, **1991**, pp. 27-47.
- Catling, H.**, “The Ancient Topography of the Yalías Valley”, *RDAC*, Nicosia (**1982**), pp. 227-236.
- Catling, H. W.**, “An early Byzantine pottery factory at Dhiorios in Cyprus”, *Levant* 4 (**1972**), pp. 1-82.
- Catling, H.**, “A Medieval Tombstone in the Paphos Museum”, in: J. Herrin, M. Mullett and C. Otten-Froux (eds.), *Mosaic. Festschrift for A.H.S. Megaw (British School at Athens Studies 4)*, London, **2001**, pp. 139-144.
- Catling, H.**, “A.H.S. Megaw (1910-2006): A Memoir,” *Annual of the British School at Athens* 102 (**2007**), pp. 1-10.
- Carboni, S. and Whitehouse, D.**, *Glass of the Sultans*, New York, **2001**.
- Carswell, J.**, *Some Fifteenth-Century Hexagonal Tiles from the Near East*, Victoria and Albert Museum, Yearbook 3, London, **1972**.

- Charalambous, A. C., Sakalis, A. J., Kantiranis, N. A., Papadopoulou, L. C., Tsirliganis N. C. and Stratis, J. A.**, “Cypriot Byzantine glazed pottery: the study of Paphos workshops”, *Archaeometry* 52 (2010), pp. 628-643.
- Charalambous, A., Charalambous, E., Violaris, Y., Kantiranis, N. and Stratis, J.**, “Study of glazed ceramics from Lapithos and Nicosia by X-ray micro-fluorescence (μ -XRF) and X-ray diffraction (XRD)”, *RDAC*, Nicosia 2010 (2012), pp. 537-550.
- Christie, M. R.**, *Colour Chemistry*, Royal Society of Chemistry Paperbacks, 2001.
- Chroniques d'Amadi et de Strambaldi*, ed. by **R. de Mas-Latrie**, 2 vols. Paris, 1891-1893, vol. II:2.
- Comodi, P., Bernardi, M., Bentivoglio, A., Gatta, G. D. and P. F. Zanazzi**, “The Production and Technology of Glazed Ceramics from the Middle Ages, found in the Saepinum Territory (Italy): A Multi-methodic Approach”, *Archaeometry* 46, 3 (2004), pp. 405-419.
- Cook, H. K. A. and Green, J. R.**, “Medieval Glazed Wares from the Theatre Site at Nea Pafos, Cyprus: Preliminary Report”, *RDAC*, Nicosia (2002), pp. 413-424.
- Cook, H.**, “The Hellenistic Theatre at Nea Paphos and its Medieval Players”, *Mediterranean Archaeology* 17, 2004, pp. 275-285.
- Cormack, R. and Vassilaki, M.**, (eds.), *Byzantium, 330-1453*, London, 2008.
- Coureas, N.**, “Economy”, in: *Cyprus. Society and Culture 1191-1375*, eds. A. Nicolaou-Konnari and C. Schabel, Leiden 2005, pp. 103-156.
- Coureas, N.**, “Western Merchants in the Ports of Cyprus up to 1291”, in V. Karageorghis and D. Michaelides eds. *Cyprus and the Sea*, Nicosia: the Cyprus Ports Authority and the Archaeological Research Unit of the University of Cyprus, 1995, pp. 255-261.
- Curatola, O.**, *Eredità dell'Islam. Arte islamica in Italia*, Milan, 1993.
- Damjanović, L., Holclajtner-Antunović, I., Mioč, U. B., Bikić, V., Milovanović, D., and Evans, I. R.**, “Archaeometric study of medieval pottery excavated at Stari (Old) Ras, Serbia”, *Journal of Archaeological Science* 38 (2011), pp. 818-828.
- Dark, K.**, *Byzantine Pottery*, Tempus Publishing Inc., United Kingdom, 2001, pp. 7-160.
- Davesne, A. and Laroche-Traunecker, F.**, *Le Site de Meydancikkale. Recherches entreprises sous la direction d'Emmanuel Laroche (1971-1982)* [Gülнар 1.], Paris: Éd. Recherches sur les Civilisations, 1998.
- Davesne, A. and LeRider, G.** (eds.), *Le trésor de Meydancikkale*, [Gülнар 2.], Paris: Éd. Recherches sur les Civilisations, 1999.
- Degeorge, G., Y. Porter, Y.**, *The Art of Islamic Tile*, Flammarion, 2001.
- Demesticha, S. and Michaelides, D.**, “The Excavation of a Late Roman Amphora kiln in Paphos”, in *La céramique byzantine et proto-islamique en Syrie-Jordanie (IV^e – VIII^e siècles apr. J.-C.)* [Bibliothèque Archéologique et Historique, 129], 2001, pp. 289-296.
- Devillers, B., Provansal, M. and Morhange, C.**, “Morphogenèse et détritisme holocène en milieu semi-aride: le bassin versant du Gialias (Chypre)”, in *Mélanges R. Néboit*, Clermont, 2006, pp. 409-416.
- Dikaïos, P., and Megaw, A.H.S.**, “Museums in Cyprus”, *RDAC*, Nicosia 1937-39 (1951), p. 212.

- Dikigoropoulos, A. and Megaw, P.**, “Early glazed pottery from Polis”, *RDAC*, Nicosia 1940-1948 (1958), pp. 77-93.
- Doğan, S.**, “Alanya’da Kızılçâşehir Kalesi ve On İkinci Yüzyılda Akdeniz”, in: A. Ödekan *et al.*, (eds.), *On İkinci ve On Üçüncü Yüzyıllarda Bizans Dünyasında Değişim / Changes in the Byzantine World in the Twelfth and Thirteenth Centuries*, Istanbul: Vehbi Koc Foundation, 2010, pp. 370-379.
- Dolfus, A.**, *L’Orient de Saladin: L’Art des Ayyoubides, Exposition présentée à l’institut du monde arabe*, Paris, 2001.
- Dometios, M.**, *A Journey through the Painted Churches of Cyprus*, Nicosia, 2007, 2nd ed.
- Du Plat Taylor, J. and Megaw, P.**, “Cypriot Medieval Glazed Pottery”, in: *RDAC*, Nicosia 1937-39 (1951), pp. 1-13.
- Durand, J. and Giovannoni, D.**, (eds.), *Chypre entre Byzance et l’Occident, IV^e-XVI^e siècle*, Paris, 2012.
- Edbury, P. W.**, *The Kingdom of Cyprus and the Crusades, 1191-1374*, Cambridge: Cambridge University Press, 1991, 1994².
- Eger, A.**, *Spaces between the Teeth: A Gazetteer of Towns on the Islamic-Byzantine Frontier*, Istanbul: Ege Yayınları, 2012.
- el-Masri, S.**, “Medieval Pottery from Beirut’s Downtown Excavations. The First Results,” *Aram* 9-10 (1997-98), pp. 103-119.
- Emmanuel, M.**, Some Notes on the External Appearance of Ordinary Women in Byzantium.: Hairstyles, Headdresses: Texts and Iconography, *Byzantinoslavica* 56 (1995), pp. 769-778.
- Empereur, J.-Y., Picon, M.**, “Les régions de production d’amphores impériales en Méditerranée orientale”, in *Amphores romaines et histoire économique: dix ans de recherche* [Collection de l’École Française de Rome 114], 1989, pp. 223-248.
- Etienne de Lusignan**, *Description de toute l’isle de Chypre*, Paris, 1580 [reprinted Nicosia, 2004].
- Ericani, G. and Marini, P.**, *La ceramica nel Veneto. La Terraferma dal XIII al XVIII secolo*, Verona, 1990.
- Fàbregas García, A.**, *Motril y el azúcar*, Motril, 1996.
- Fabbri, B., Gualtieri, S., Mingazzini, C., Spadea, P., Casadio, P., Costantini, R. and Malisani, G.**, “Archaeometric Investigations of Scraffito Ceramic Tiles (fifteenth-sixteenth centuries) recovered from Excavations in Udine (North-East Italy)”, *Archaeometry* 42, 2 (2000), pp. 317-324.
- Farris, G. and Ferranese, V.A.**, “Contributo alla conoscenza della maiolica ligure del XVI^o secolo”, *Atti del II convegno internazionale della ceramica*, Albisola, 1986.
- Fındık, E.**, “Myra-Demre Aziz Nikolaos Kilisesi’nde On İkinci ve On Üçüncü Yüzyıl Sırlı Seramikleri”, in: A. Ödekan *et al.* (eds.), *On İkinci ve On Üçüncü Yüzyıllarda Bizans Dünyasında Değişim / Changes in the Byzantine World in the Twelfth and Thirteenth Centuries* [1. Uluslararası Sevgi Gönül Bizans Araştırmaları Sempozyumu], Istanbul: Vehbi Koç Vakfı 2010, pp. 521-528.

- Fiorillo, R.**, *La tavola dei d'Angiò. Analisi archeologica di una spazzatura reale Castello di Lagopesole (1266-1315)*, Salerno, **2005**.
- Flourentzos, P.**, *A Hoard of Medieval Antiquities from Nicosia*, Nicosia, **1994**.
- Flourentzos, P.**, “Le monastère cistercien d’Agios Theodoros”, *Bulletin de Correspondance hellénique* 128-129 (**2004-2005**), pp. 1685-1687.
- Foster, G. M.**, “The Sociology of Pottery: Questions and Hypotheses Arising from Contemporary Mexican Work”, in F. R. Matson (ed.) *Ceramics and Man* [Viking Fund Publications in Anthropology, No. 41, Wenner-Gren Foundation for Anthropological Research], **1965**, 43-61.
- François, V.**, “Une illustration des romans courtois. La vaisselle de table chypriote sous l’occupation franque”, *Cahier du Centre d’Études Chypriotes* 29 (**1999**), pp. 59-80.
- François, V.**, “Céramique fine de l’Anatolie Seldjoukide: Une production de tradition Irano-Caucasienne”, in: Ch. Bakirtzis (ed.), *VII^e Congrès international sur la céramique médiéval en Méditerranée, Thessaloniki, 11-16 octobre 1999*, Athens, **2003**, pp. 313-324.
- François, V., Nicolaïdès, A., Vallauri, L. and Waksman, Y.**, “Premiers éléments pour une caractérisation des productions de Beyrouth entre domination franque et mamelouke”, in Charalambos Bakirtzis, ed., *Actes du VII^e Congrès International sur la Céramique Médiévale en Méditerranée*, Athens, **2003**, pp. 325-340.
- François, V. and Vallauri, L.**, “Production et consommation de céramiques à Potamia (Chypre) de l’époque franque à l’époque ottomane”, *Bulletin de Correspondance hellénique* 125 (**2001**), pp. 523-546.
- François, V. and Vallauri, L.**, “Famagouste : indices d’une production de vaisselle à l’époque vénitienne”, *Cahiers du Centre d’Études chypriotes* 40 (**2010**), pp. 295-310.
- Frantz, A.**, “Digenis Akritas.: A Byzantine Epic and its Illustrations”, *Byzantion* 15 (**1940-41**), pp. 87-91.
- Gabrielli, R. S., McCall, B. and Green, J. R.**, “Medieval Kitchen Ware from the Theatre Site at Nea Pafos”, *RDAC*, Nicosia (**2001**), pp. 413-426.
- Gabrieli, R. S.**, “Under the Surface: Decoration and Shape of the Coarse Ware of Medieval and Post-Medieval Cyprus”. *Mediterranean Archaeology* 17 (**2004**), pp. 287-298.
- Gabrieli, R. S.**, *Silent Witnesses: The Evidence of Domestic Wares of the 13th-19th Centuries in Paphos, Cyprus for Local Economy and Social Organisation*, PhD thesis, University of Sydney, **2006**.
- Gabrieli, R. S.**, “A Region Apart: Coarse Ware of Medieval and Ottoman Cyprus”, in B. Böhlendorf-Arslan, A. O. Uysal and J. Witte-Orr (eds.) in *Çanak, Late Antique and Medieval Pottery and Tiles in Mediterranean Archaeological Contexts. Proceedings of the First International Symposium on Late Antique, Byzantine, Seljuk, and Ottoman Pottery and Tiles in Archaeological context (Çanakkale, 1-3 June 2005)*, [Byzas, 7], Istanbul, **2007**, pp. 399-410.
- Gabrieli, R. S.**, “Towards a Chronology - The Medieval Coarse Ware from the Tomb on Icarus Street, Kato Pafos”, *RDAC*, Nicosia (**2008**), pp. 423-454.
- Gabrieli, R. S.**, 2013 “Medieval–Modern Utility Wares”, in M. Given, A. B. Knapp, J. S. Noller, L. Sollars and V. Kassianidou (eds.) *The Troodos Archaeological and Environmental*

- Survey Project, Cyprus* [Levant Supplementary Series 14], London: Council for British Research in the Levant], **2013**.
- Georgopoulou, M.**, “Orientalism and Crusader Art: Constructing a New Canon”, *Medieval Encounters* 5.3, pp. 289-321.
- Gerstel, S. E. J.**, “Art and Identity in the Medieval Morea”, in: A. E. Laiou and R. P. Mottahedeh (eds.), *The Crusades from the Perspective of Byzantium and the Muslim World*, Washington, D.C., **2001**, pp. 263-285.
- Gertsen, A. G., Naumenko, V. E.**, “Polivnaya keramika iz raskopok tsitadeli Mangupa”, *Polivnaya keramika Sredizemnomor'ya i Prichernomor'ya X-XVIII vv.*, Kiev: Stylos, **2005**, pp. 257-287 (in Russian).
- Gertsen, A. G., Naumenko, V. E.**, *Arkheologicheskii kompleks tretiei chetverti 15 v. iz raskopok knyazheskogo dvortsa Mangupskogo gorodishcha* [Trudy Ghosudarstvennogo Ermitazha, LI], Sankt-Peterburg, **2010**, pp. 387-419 (in Russian).
- Gertwagen, R.**, “Maritime Activity Concerning the Ports and Harbours of Cyprus from the Late 12th and 16th Centuries (1191-1571)”, in N. Coureas and J. Riley-Smith and N. Coureas (eds.), *Cyprus and the Crusades*, Nicosia: Cyprus Research Centre and SSCLE, **1995**, pp. 511-538.
- Gillingham, J.**, *Richard I (The English Monarch Series)*, New Haven and London, **1999**.
- Ginkut, N.**, “Vizantiiskie i vostochnye traditsii v kul'ture genuezskoi kreposti Chembalo (Krymskii poluostrov) po dannym polivnoi keramiki”, *Ethnic Contacts and Cultural Exchanges. North and West of the Black Sea from the Greek Colonization to the Ottoman Conquest*, Iași: Trinitas, **2005**, pp. 495-512 (in Russian).
- Given, M. and Gregory T. E.**, “Medieval to Modern Landscapes”, in M. Given and A. B. Knapp, (eds.) *The Sydney Cyprus Survey Project: Social Approaches to Regional Archaeological Survey* [Monumenta Archaeologica 21], Los Angeles, **2003**, pp. 284-294.
- Given, M., Corley, H. and Sollars, L.**, “Joining the Dots: Continuous Practice and the Interpretation of a Cypriot Landscape (with interactive GIS and integrated data archive)”, *Internet Archaeology* 20, http://intarch.ac.uk/journal/issue20/taesp_index.html.
- Given, M., Knapp, B., Noller, J., Sollars, L. and Kassianidou, V.**, (eds.), *Landscape and interaction: The Troodos Archaeological and Environmental Survey Project, Cyprus. Volume 1: Methodology, Analysis and Interpretation. Volume 2: The TAESP Landscape (Levant Supplementary Series)*, London, **2013**.
- Giuduce, F.**, “Paphos, Garrison's Camp, 1988”, *RDAC*, Nicosia (**1992**), pp. 205-250.
- Giuduce, F.**, “Paphos, Garrison's Camp, 1989”, *RDAC*, Nicosia (**1993**), pp. 279-327.
- Giuduce, F.**, “Paphos, Garrison's Camp, 1990”, *RDAC*, Nicosia (**1994**), pp. 216-268.
- Golofast, L., Ryzhov, S.**, *Raskopki kvartala X v severnom raione Khersonesa* [Materialy po Arkheologii, Istorii i Etnografii Tavrii, X], Simferopol, **2003** (in Russian).
- Gomez, B., Neff, H., Rautman, M. L., Vaughan, S. J. and Glascock, M. D.**, “The source provenance of Bronze Age and Roman Pottery from Cyprus”, *Archaeometry* 44 (**2002**), pp. 23-36.
- Green, J. R., Gabrieli, R. S., Cook, H. K. A., Stern, E. J., McCall, B. and Lazer, E.**, *Paphos 8 August 1303: Snapshot of a Destruction*, Nicosia: A. G. Leventis Foundation, forthcoming.

- Grivaud, G.**, “Ordine della Secreta di Cipro”, *Μελέται και Υπομνήματα*, 2, Nicosia, **1989**, pp. 533-592.
- Grivaud, G.**, *Excerpta Cypria Nova*, I, *Voyageurs occidentaux à Chypre au XVI^e siècle*, Nicosia, **1990**.
- Grivaud, G.**, “The Capital of the Sweet Land of Cyprus”, in: *Historic Nicosia*, ed. D. Michaelides, Nicosia **2012**.
- Grube, E.J.**, *Islamic Pottery of the Eighth to the Fifteenth Century in the Keir Collection*, London, **1976**.
- Grünwald, M.**, “Kleinfunde aus den Kenotaphgrabungen 1973 und 1974”, in: J. Ganzert, *Das Kenotaph für Gaius Caesar in Limyra*, Tübingen: Wasmuth, **1986**, pp. 22-61.
- Guinier, A.**, *X-Ray Diffraction in Crystals, Imperfect Crystals and Amorphous Bodies*, San Francisco, Freeman H.W. and Company, **1963**.
- Hammond, M. D., Gabrieli, R. S., Wismann, T., Ferguson, J. R. and Glascock, M. D.**, “Compositional Analysis of Cypriot Cookware from the Amathus-Gate Cemetery, Kourion, and the Theater at Fabrika Hill, Nea Paphos”, forthcoming.
- Hatcher, H.**, *A Provenance Study on White Slip Wares from Late Bronze Age Cyprus and the Levant*, PhD thesis, University of Reading, **2007**.
- Heimann, B. R. and M. Maggetti**, “Experiments on Simulated Burial of Calcareous Terra Sigillata (Mineralogical change). Preliminary Results”, *British Museum Occasional Papers* No. 19, *Scientific Studies in Ancient Ceramics*, M. J. Hughes, **1979**, pp. 163-177.
- Hellenkemper, H. and Hild, F.**, *Lykien und Pamphylien* [Tabula Imperii Byzantini 8], Wien: Verlag der Österreichischen Akademie der Wissenschaften, **2004**.
- Hild, F. and Hellenkemper, H.**, *Kilikien und Isaurien* [Tabula Imperii Byzantini 5], Wien: Verlag der Österreichischen Akademie der Wissenschaften, **1990**.
- Hill, G. F.**, *A History of Cyprus*, 4 vols. Cambridge, **1940-1952**.
- Horden, P. and Purcell, N.**, *The Corrupting Sea. A Study of Mediterranean History*, Oxford: Blackwell Publishers, **2000**.
- Imhaus, B., (ed.)**, *Lacrimae Cypriae. Les larmes de Chypre ou Recueil des inscriptions lapidaires pour la plupart funéraires de la période franque et vénitienne de l'île de Chypre*, Nicosia, **2004**.
- Immerzeel, M.**, “Holy Horsemen and Crusader Banners. Equestrian Saints in Wall Paintings in Lebanon and Syria”, *Eastern Christian Art* 1, **2004**, pp. 29-60.
- Immerzeel, M.**, *Identity Puzzles. Medieval Christian Art in Syria and Lebanon*, Leuven (*Orientalia Lovaniensia Analecta* 184), Leuven, **2009**.
- Iñáñez, J. G., Speakman, R. J., Buxeda i Garrigos, J. and M. D. Glascock**, “Chemical Characterization of Tin-Lead Glazed Pottery from the Iberian Peninsula and the Canary Islands: Initial Steps toward a better understanding of Spanish Colonial Pottery in the Americas”, *Archaeometry* 51, 4 (**2009**), pp. 546-567.
- Ionas, I.**, *Traditional Pottery and Potters in Cyprus. The Disappearance of an Ancient Craft Industry in the 19th and 20th Centuries* [Birmingham Byzantine and Ottoman Monographs 6: Centre for Byzantine, Ottoman and Modern Greek Studies University of Birmingham], Burlington USA, Singapore, Sydney, **2000**.

- Iverson, E.A.**, *Mortuary Practices in Byzantium (c. 950-1453). An Archaeological Contribution* Unpublished Ph.D. dissertation, University of Birmingham, **1993**.
- Iverson, E.A.**, “‘Supplied for the Journey to Heaven’: A Moment of West-East Cultural Exchange: Ceramic Chalices from Byzantine Graves”, *Byzantine and Modern Greek Studies* 24 (2000), pp. 147-193.
- Jacobek, R.**, “Limyra als Sitz byzantinischer Bischöfe”, in: J. Borchhardt, *Die Steine von Zemuri*, Wien: Phoibos Verlag, **1993**, pp. 111-115.
- Jacoby, D.**, “La littérature française dans les états latins de la Méditerranée orientale à l’époque des croisades: diffusion et création”, in: *Essor et fortune de la chanson de geste dans l’Europe et l’Orient latin. Actes du IX^e congrès international de la société rencesvals pour l’étude des épopées romanes (Padoue-Venise, 1982)*, Modena, **1984**, pp. 617-646.
- Jacoby, D.**, “Knightly Values and Class Consciousness in the Crusader States of the Eastern Mediterranean”, *Mediterranean Historical Review* 1 (1986), pp. 158-186.
- Jacoby, D.**, “The rise of a New Emporium in the Eastern Mediterranean: Famagusta in the Late Thirteenth Century”, *Μελέται και Υπομνήματα*, II (1984), reprinted in D. Jacoby *idem*, *Studies on the Crusader States and on Venetian Expansion*, London, **1989**, VIII, pp. 143-179.
- Jacoby, D.**, “The Trade of Crusader Acre in the Levantine Context: An Overview”. *Archivio Storico del Sannio* 1-2 (1998), pp. 103-120.
- Jeffreys, E.**, *Four Byzantine Novels*, Liverpool, **2012**.
- Jeffreys, E. and Mango, C.**, “Towards a Franco-Greek Culture”, in: C. Mango (ed.), *The Oxford History of Byzantium*, Oxford, **2002**, pp. 294-305.
- Johns, C. N.**, “Medieval Slip-ware from Pilgrims Castle, Atlit (1930-1)”, *Quarterly of the Department of Antiquities of Palestine* (London), 3 (1933), pp. 137-144.
- Johns, C. N.**, “Excavations at Pilgrims Castle, Atlit (1932-3): Stables at the South-west of the Suburb”, *Quarterly of the Department of Antiquities of Palestine* (London), 5 (1936), pp. 31-60.
- Jones, R. E.**, *Greek and Cypriot Pottery: A Review of Scientific Studies*, The British School at Athens, Fitch Laboratory Occasional Paper 1, **1986**, pp. 314-39, 743-45, and 905-10.
- Jouanno, C.**, *Digénis Akritas, le héros des frontières. Une épopée byzantine (version de Grottaferrata)*, Turnhout, **1998**.
- Kantiranis, N., Stergiou, A., Filippidis, A. and Drakoulis A.**, “Calculation of the Percentage of Amorphous Material using PXRD Patterns”, *Bulletin of the Geological Society of Greece* 36 (2004), pp. 446-453 (in Greek with English abstract).
- Karageorghis, V.**, “Chroniques des fouilles et découvertes archéologiques à Chypre en 1988”, *Bulletin de Correspondance hellénique* 113 (1989), pp. 789-853.
- Karageorghis, V.**, *Ancient Cypriote art in the Severis Collection*, Athens: Costakis and Leto Severis Foundation, **1999**.
- Karageorghis, V.**, *Ancient Art from Cyprus in the Collection of George and Nefeli Giabra Pierides*, Nicosia: Bank of Cyprus Cultural Foundation, **2002**.
- Karageorghis, V.**, *The Cyprus Collections in the Medelhavsmuseet*, Nicosia - Stockholm: A. G. Leventis Foundation; Stockholm Medelhavsmuseet, **2003**.

- Karageorghis, V.**, *Cypriote Antiquities in the Royal Ontario Museum*, Nicosia: Royal Ontario Museum; A. G. Leventis Foundation, **2003**.
- Kazhdan, A., (ed.)**, *Oxford Dictionary of Byzantium*, Oxford, **1991**.
- Kervran, M.**, “Une sucrerie d’époque islamique sur la rive droite du Chaour à Suse II. Le matériel archéologique”, *Cahiers de la Délégation archéologique française en Iran* 10 (1979), pp. 177-229.
- Kolb, F.**, *Burg - Polis - Bischofssitz. Geschichte der Siedlungskammer von Kyaneai in der Südwesttürkei*, Mainz: von Zabern, 2008.
- Kontoyiannis, N.**, «Κυπριακή μεσαιωνική κεραμική στο Μουσείο των Σεβρών», in: *Επιστημονική Επετηρίδα του Τμήματος Αρχαιοτήτων* (2003), pp. 311-326.
- Köroğlu, G.**, “Glazed Pottery from Cyprus and the Hatay-Çukorova Region in the Mersin-Yumuktepe Excavations”, in: B. Böhlendorf-Arslan et al. (eds.), *Çanak –Late Antique, Byzantine and Ottoman Pottery in the Mediterranean Area*, [Byzas 7], Istanbul: Ege Yayınları 2007, pp. 441-456.
- Köroğlu, G.**, “Ortaçağda Yumuktepe/Yumuktepe in the Middle Ages”, in: I. Caneva and G. Köroğlu (eds.), *Yumuktepe. A Journey through nine thousand years*, Istanbul: Ege Yayınları, **2010**, pp. 79-104.
- Koval’, V.**, “Keramika srednevekovoi Sirii v Vostochnoi Evrope”, *Polivnaya keramika Sredizemnomor’ya i Prichernomor’ya X-XVIII vv.*, Kiev: Stylos, **2005**, pp. 216-228 (in Russian).
- LaGro, H. E.**, “Ayyubid-Mamluk Sugar Pottery from Tell Abu Sarbut, Jordan”, *Leiden Journal of Pottery Studies*, 24 (2009), pp. 63-102.
- Lane, A.**, “Medieval Finds at al-Mina in North Syria,” *Archaeologia* 87 (1938), pp. 19-78.
- Lane, A.**, *Early Islamic Pottery*, London, **1953**.
- Leaf, W. and Purcell, S.**, *Heraldic Symbols: Islamic Insignia and Western Heraldry*, London, **1986**.
- Lécuyer, N.**, “Le territoire de Potamia aux époques médiévale et moderne: acquis récents”, *Cahiers du Centre d’Études chypriotes* 34 (2004), pp. 11-29.
- Lécuyer, N.**, “Marqueurs identitaires médiévaux et modernes sur le territoire de Potamia-Agios Sozomenos”, in S. Fourrier and G. Grivaud (eds.), *Identités croisées en un milieu méditerranéen: le cas de Chypre (Antiquité - Moyen Âge)*, Mont-Saint-Aignan, **2006**, pp. 241-256.
- Lécuyer, N., et alii.**, “Potamia-Agios Sozomenos”, *Bulletin de Correspondance hellénique* 128-129, 2.1 (2004-2005), pp. 1078-1095.
- Lécuyer, N., Decock, L., Devillers, B. et al.**, “Potamia-Agios Sozomenos (Chypre). La constitution des paysages dans l’Orient médiéval”, *Bulletin de Correspondance hellénique* 125.2 (2001), pp. 655-678.
- Lécuyer, N. and Michaelides, D.**, “Archaeological survey at Potamia-Ayios Sozomenos”, in M. Iacovou (ed.), *Archaeological Field Survey in Cyprus. Past History, Future Potentials*, *British School at Athens Studies* 111 (2004), pp. 139-149.
- Léontios Machairas, *Recital Concerning the Sweet Land of Cyprus Entitled ‘Chronicle’*, ed. and trans. by R.M. Dawkins, 2 vols. Oxford, **1932**.

- von Lippmann, E. O.**, *Die Geschichte des Zuckers*, Berlin, **1903**, 2nd edn 1929².
- Loizou-Hadjigavriel, L.**, (ed.), *Mapping Cyprus: Crusaders, Traders and Explorers*, Milan **2012**.
- Loizou-Hadjigavriel, L. and Theodotou, D.**, (eds.), *A Guide to the History of Nicosia through The Leventis Municipal Museum*, Nicosia (n.d.).
- London, G. A.**, “Regionalism in Traditional Cypriot Ceramics”, *Newsletter Department of Ceramic Technology, Leiden University* 5, **1987**, pp. 125-136.
- London, G. A.**, “On Fig Leaves, Itinerant Potters, and Pottery Production Locations in Cyprus”, in P. E. McGovern, M. D. Notis and W. D. Kingery (eds.) *Cross-Craft and Cross-Cultural Interactions in Ceramics* [Ceramics and Civilization, IV], **1989**, pp. 65-80.
- Longacre, W. A., Xia, J. and Yang, T.**, “I Want to Buy a Black Pot”, *Journal of Archaeological Method and Theory* 7:4 (**2000**), pp. 273-293.
- Luchinat, C.A.**, (ed.), *The Chapel of the Magi: Benozzo Gozzoli's Frescoes in the Palazzo Medici Riccardi Florence*, London, **1994**.
- Maggetti M.**, “Composition of Roman Pottery from Lousonna (Switzerland)”, *British Museum Occasional Papers* No. 19, *Scientific Studies in Ancient Ceramics*, M. J. Hughes, **1981**, pp. 33-49.
- Maguire, H.**, “Style and Ideology in Byzantine Imperial Art”, *Gesta* 28.2, **1989**, pp. 217-231.
- Maier, F. G.**, “Ninth Preliminary Report”, *RDAC*, Nicosia (**1977**), pp. 133-140.
- Maier, F. G.**, “Ausgrabungen in Alt-Paphos. Neunter Vorläufiger Bericht: Grabungskampagne 1976”, *Archäologischer Anzeiger* **1978**, pp. 309-316.
- Maier, F. G. and Wartburg, M.-L. von.**, “Excavations at Kouklia (Palaepaphos). Fourteenth Preliminary Report: Season 1985”, *RDAC*, Nicosia (**1986**), pp. 55-61.
- Maier, F. G. and Wartburg, M.-L. von.**, “Excavations at Kouklia (Palaepaphos). Sixteenth Preliminary Report: Season 1989 and 1990”, *RDAC*, Nicosia (**1991**), pp. 255-262.
- de Mas Latrie, L.**, *Histoire de l'île de Chypre sous le règne des princes de la maison de Lusignan*, 4 vols., Paris, **1852-1861**, repr. Famagusta, 1970, vols. 2 and 4.
- Maiko, V.V.**, “Zakrytyi kompleks pervoi poloviny 13 v. v portovoi chasti srednevekovoi Sugdei”, «*XERSONOS QEMATA*»: *imperiya i polis*, Sevastopol: SPD Aref'ev, **2013**, pp. 69-90 (in Russian).
- Maslovskiy, A.N.**, *Keramicheskii kompleks Azaka. Kratkaya kharakteristika* [Istoriko-arkheologicheskie issledovaniya v g. Azove i na Nizhnem Donu v 2004 g., XXI], Azov, **2006** (in Russian).
- Mason, R. B. and M. S. Tite.**, “The Beginnings of Tin-Opacification of Pottery Glazes”, *Archaeometry* 39, 1 (**1997**), pp. 41-58.
- Mason, R. B., Tite, M. S., Paynter, S. and C. Salter.**, “Advances in Polychrome Ceramics in the Islamic World of the 12th Century AD”, *Archaeometry* 43, 2 (**2001**), pp. 191-209.
- Mayer, L.A.**, *Saracenic Heraldry, A Survey*, Oxford, **1933**, repr. **1999**.
- Megaw, A. H. S.**, “Three Medieval Pit-Groups from Nicosia”. *RDAC*, Nicosia 1937-39, (**1939**), pp. 145-168.
- Megaw, A. H. S.**, *Loan Exhibition: Medieval Cypriot Pottery from the Collection of Mr. Christakis Loizides*, Nicosia **1947**.
- Megaw, A. H. S.**, “Some Medieval Acquisitions of the Cyprus Museum, 1937-1939”, *RDAC*, Nicosia 1937-39 (**1951**), pp. 205-211.

- Megaw, A. H. S.**, "Byzantine Pottery", in: R.J. Charleston (ed.), *World Ceramics*, London, New York, Sydney and Toronto, **1968**, pp. 100-106.
- Megaw, A. H. S.**, "Zeuxippus Ware", *British School at Athens* 63 (**1968**), pp. 67-88.
- Megaw, A. H. S.**, "Excavations at Saranda Kolones, Paphos. Preliminary Report on the 1966-67 and 1970-71 Seasons", *RDAC*, Nicosia (**1971**), pp. 117-146.
- Megaw, A. H. S.**, "Supplementary Excavations on a Castle Site at Paphos, Cyprus, 1970-1971", *Dumbarton Oaks Papers* 26 (**1972**), pp. 322-343.
- Megaw, A. H. S.**, "An early Thirteenth Century Aegean Glazed Ware", in *Studies in Memory of David Talbot Rice*, ed. G. Robertson and G. Henderson, Edinburgh, 1975, pp. 34-46.
- Megaw, A. H. S., and Jones, R. E.**, "Byzantine and Allied Pottery: A Contribution by Chemical Analysis to Problems of Origin and Distribution", *British School at Athens* 78 (**1983**), pp. 235-263.
- Megaw, A. H. S.**, "Saranda Kolones: Ceramic Evidence for the Construction Date", *RDAC*, Nicosia (**1984**), pp. 333-340.
- Megaw, A. H. S., Armstrong, P. and Hatcher, H.**, "Zeuxippus Ware: An Analytical Approach to the Question of Provenance", in *VII^e Congrès International sur la Céramique Médiévale en Méditerranée*, Athens, **2003**, pp. 91-100.
- Melis, F.**, *Documenti per la storia economica dei secoli XIII-XVI*, Florence, **1972**.
- Metcalf, D. M., and Pitsillides, A.**, *The Gros, Sixains and Cartzias of Cyprus 1382-1489*, Nicosia: Cyprus Research Centre, **2000**.
- Metcalf, D. M.**, *The White Bezants and Deniers of Cyprus (1192-1285)* Nicosia: Cyprus Research Centre, **1998**.
- Mercangöz, Z.**, "Kuşadası, Kadıkalesi'nde Geç Bizans çağı ticari üretimlerine ilişkin arkeolojik bulgular / Archaeological finds on Late Byzantine commercial productions at Kadıkalesi, Kuşadası", in: Z. Mercangöz (ed.), *Bizanslı Ustular - Latin Patronlar / Byzantine Craftsmen - Latin Patrons*, Istanbul, **2013**, pp. 25-58.
- Meyer, N. and Gregory, T. E.**, "Pottery Collection, Pottery Analysis, and GIS Mapping", in M. Given & and A. B. Knapp, (eds.), *The Sydney Cyprus Survey Project: Social Approaches to Regional Archaeological Survey* [Monumenta Archaeologica 21], Los Angeles, **2003**, pp. 48-57.
- Mietke, G.**, "Geschichte der Sammlung", in: B. Böhlendorf-Arslan, *Spätantike, byzantinische und postbyzantinische Keramik* [Staatliche Museen zu Berlin - Preußischer Kulturbesitz Skulpturensammlung und Museum für Byzantinische Kunst. Bestandskataloge, Band 3], Wiesbaden: Reichert **2013**, pp. 13-16.
- Milwright, M.**, "Modest Luxuries: Decorated Lead-Glazed Pottery in the South of Bilad al-Sham (Thirteenth and Fourteenth Centuries)", *Muqarnas* 20 (**2003**), pp. 85-111.
- Milwright, M.**, *The Fortress of the Raven. Karak in the Middle Islamic Period (1100-1650)*, Leiden, **2008**.
- Molera, J., Vendrell-Saz, M., Garcia-Vallés, M. and T. Pradell**, "Technology and Color Development of Hispano-Moresque Lead Glazed Pottery", *Archaeometry* 39 (**1997**), pp. 23-39.

- Molera, J., Pradell, T., Salvadó, N. and M. Vendrell-Saz**, “Evidence of Tin Oxide Recrystallization in Opacified Lead Glazes”, *Journal of the American Ceramic Society* 82, 10 (1999), pp. 2871-2875.
- Morgan, C.**, *Excavations at Corinth, vol. XI: The Byzantine Pottery*, Cambridge, Mass, 1942.
- Moudzali, A.**, “305. Bowl”, in: *Byzantine and Post-Byzantine Art*, Athens: Old University, 1986, pp. 246-247, Nr. 306.
- Mumenthaler, T., Schmitt, H., Peters, T., Ramseyer, K. and F. Zweili**, “Tracing the Reaction Processes during firing of Carbonate-Containing Brick Mixes with the help of Cathodoluminescence”, *Ziegelindustrie International* 5 (1995), p. 95.
- Munarini, M. and Banzato, D.**, *Ceramiche rinascimentali dei musei civici di Padova*, Milan, 1993.
- Mutafian, C.**, *La Cilicie au carrefour des empires*, Paris: Les Belles Lettres, 1988.
- Mutafian, C.**, *Le royaume arménien de Cilicie (XII^e-XIV^e siècle)*, Paris: Centre Nationale de Recherche Scientifique, Éd., 1993.
- Nepoti, S.**, *Ceramiche graffite della donazione Donini Baer*, Faenza, 1991.
- Nicolle, D.**, *Arms and Armour of the Crusading Era, 1050-1350*, White Plains, N.Y., 1988.
- Nicolle, D., (ed.)**, *A Companion to Medieval Arms and Armour*, Woodbridge and Rochester, 2002.
- Notopoulos, J. A.**, “Akritan Iconography on Byzantine Pottery”, *Hesperia* 1964, pp.108-133.
- Ötügen, S. Y.**, “Ergebnisse der Grabungen in der Kirche des Hl. Nikolaos in Myra”, in: F. Blakolmer et al. (eds.), *Fremde Zeiten. Festschrift für Jürgen Borchhardt 1*, Wien: Phoibos Verlag, 1996, pp. 227-237.
- Otten-Froux, C.**, “Le commerce cilicien du XIII^e au XIV^e siècle,” Raymond Kévorkian, ed., *Arménie entre Orient et Occident*, Paris: Bibliothèque nationale de France, 1996, pp. 134-138.
- Ouerfelli, M.**, *Le sucre. Production, commercialisation et usages dans la Méditerranée médiévale*, Leiden-Boston, 2008.
- Ouerfelli, M.**, “L’impact de la production du sucre sur les campagnes méditerranéennes à la fin du Moyen Âge”, *Revue des mondes musulmans et de la Méditerranée*, 126 (2009), pp. 47-63.
- Padilla, R., Schalm, O., Janssens, K., Arrazcaeta, R. and P. Van Espen**, “Microanalytical Characterization of Surface Decoration in Majolica Pottery”, *Analytica Chimica Acta* 535 (2005), pp. 201-211.
- Papademetriou, E.**, *Modern Glazed Pottery of Cyprus: Lapithos Ware*, Nicosia 2005.
- Papanikola-Bakirtzi, D.**, *Medieval Cypriot Pottery in the Pierides Foundation Museum*, Larnaca: Pierides Foundation, 1989.
- Papanikola-Bakirtzis, D.**, “Medieval Pottery from Enkomi, Famagusta”, in *Recherches sur la céramique byzantine [Bulletin de Correspondance hellénique Supplément XVIII]*, 1989, pp. 231-246.
- Papanikola-Bakirtzi, D., (eds.)**, *Byzantine Glazed Ceramics. The Art of Sgraffito*, Athens, 1991.
- Papanikola-Bakirtzi, D.**, “Cypriot Medieval Glazed Pottery: Answers and Questions”, in: A.A.M. Bryer and G.S. Georghallides (eds.), *The Sweet Land of Cyprus. Papers Given*

- at the Twenty-Fifth Jubilee Spring Symposium of Byzantine Studies, Birmingham, March 1991*, ed. A.A.M. Bryer and G.S. Georghallides, Nicosia, **1993**, pp. 115-130.
- Papanikola-Bakirtzis, D.**, *Medieval Glazed Pottery of Cyprus: The Workshops of Paphos and Lapithos*, The A. G. Leventis Foundation, Nicosia, **1996**.
- Papanikola-Bakirtzi, D.**, “Glazed Pottery in Byzantine Medieval Cyprus (12th-15th Centuries)”, in: D. Papanikola-Bakirtzi and M. Iacovou (eds.), *Byzantine Medieval Cyprus*, Nicosia, **1998**, pp. 129-157.
- Papanikola-Bakirtzi, D.**, “Cypriot Medieval Ceramics: A Contribution to the Study of Individual Artists”, in: N. P. Ševčenko and C. Moss (eds.), *Medieval Cyprus. Studies in Art, Architecture, and History in Memory of Doula Mouriki*, Princeton, **1999**, pp. 197-204.
- Papanikola-Bakirtzi, D., Mavrikiou, F. and Bakirtzis, Ch.**, *Byzantine Glazed Pottery in the Benaki Museum*, Athens, **1999**.
- Papanikola-Bakirtzi, D.**, *Επιτραπέζια και μαγειρικά σκεύη στη Μεσαιωνική Κύπρο*, Nicosia, **1999**.
- Papanikola-Bakirtzi, D.**, (ed.), *Everyday Life in Byzantium, Byzantine Hours*, Athens, **2002**.
- Papanikola-Bakirtzi, D.**, *Colours of Medieval Cyprus Through the Medieval Collection of the Leventis Municipal Museum of Nicosia* (with essays by Sir David Hunt and Eleni Loizides), Nicosia, **2004**.
- Papanikola-Bakirtzi, D.**, “Falcons and Falconers in Medieval Cyprus”, in: L. Olympios, *Το φόρεμα της Ελεονώρας / Eleonora's Gown*, Nicosia, **2005**, pp. 50-53.
- Papanikola-Bakirtzis, D.**, (ed.), *Food and Cooking in Byzantium (Proceedings of the Symposium 'On Food in Byzantium', Thessaloniki 2001)*, Athens, **2005**.
- Papanikola-Bakirtzis, D.**, “La vaisselle de table chypriote (XIII^e-XVI^e siècle)”, in *Chypre: entre Byzance et l'Occident, IV^e - XVI^e siècle*, Paris, **2012**, pp. 302-325.
- Pegolotti, F.B.**, *La pratica della mercatura*, ed. A. Evans, Cambridge/Massachusetts, **1936**.
- Peschlow, U.**, “Materialien zur Kirche des H. Nikolaos in Myra im Mittelalter”, *Istanbuler Mitteilungen* 40 (1990), pp. 207-256.
- Photos-Jones, E., and Politis, K. D. (et al.)**, “The Sugar Industry in the Southern Jordan Valley: An Interim Report”, *Annual of the Department of Antiquities of Jordan* 46 (2002), pp. 591-614.
- Picon, M.**, “Le traitement des données d'analyse”, *Pact* 10 (1984), pp. 379-399.
- Picon, M.**, “L'analyse chimique des céramiques: bilan et perspectives”, in *Archeometria della Ceramica. Problemi di Metodo*, Bologna, **1992**, pp. 3-26.
- Picon, M.**, “Grises et grises: quelques réflexions sur les céramiques cuites en mode B”, in *Actas das Ias Jornadas de Ceramica Medieval e Pos-Medieval*, Porto Maio, **1995**, pp. 283-292.
- Picon, M. and Blondé, F.**, “Les résultats d'un programme d'analyses effectué sur l'île de Chypre”, in *Céramiques hellénistiques et romaines. Productions et diffusion en Méditerranée orientale (Chypre, Egypte et côte syro-palestinienne)* [Travaux de la Maison de l'Orient et de la Méditerranée, 35], Lyon, **2002**, pp. 12-21.

- Pilides D.**, (with an Appendix by A. Berlin and J. Pilacinski), "Excavations at the Hill of Agios Georgios (PA.SY.D.Y.), Nicosia, 2002 Season - Preliminary Report", *RDAC*, Nicosia (2003), pp. 181-237.
- Piltz, E.**, *The Von Post Collection of Cypriote Late Byzantine Glazed Pottery (Studies in Mediterranean Archaeology vol. CXIX)*, Jonsered: Paul Åströms Förlag, 1996.
- Pisetzky, R. L.**, *Storia del costume in Italia*, Milan, 1964.
- Plana i Borràs, J. (ed.)**, "The Accounts of Joan Benet's Trading Venture from Barcelona to Famagusta: 1343", *Επετηρίς Κέντρου Επιστημονικών Ερευνών* 19 (1992), pp. 105-168.
- Politis, K. D.**, "The Sugar Industry in the Ghawr as-Safi, Jordan", *Studies in the History and Archaeology of Jordan XI*, Amman: Department of Antiquities, Jordan 2013, pp. 467-480.
- Porter, V.**, *Islamic Tiles*, London, 1995.
- Postgate N. and Thomas, D.**, *Excavations at Kilise Tepe 1994-98. From Bronze Age to Byzantine in Western Cilicia*, London: British Institute at Ankara 2007.
- Poulou-Papadimitriou, N., Tzavella and J. Ott, E.**, "Burial Practices in Byzantine Greece: Archaeological Evidence and Methodological Problems for its Interpretation", in: M. Salamon, M. Woloszyn, A. Musin, P. Špehar, M. Hardt, M.P. Kruk, A. Sulikowska-Gąska (eds.), *U Źródle Europy Środkowo-Wschodniej / Frühzeit Ostmitteleuropas vol. 1,1*, Kraków, Leipzig, Rzeszów and Warsaw, 2012, pp. 377-428.
- Pringle, PD.**, "Pottery as Evidence for Trade in the Crusader States", in *I Comuni italiani nel regno crociato di Gerusalemme*, Genoa, 1986, pp. 451-475.
- Rabinowitz, A., Sedikova, L., Henneberg, R.**, "Daily Life in a Provincial Late Byzantine City: recent Multidisciplinary Research in the South Region of Tauric Chersonesos (Cherson)", *Byzanz - das Römerreich im Mittelalter, teil 2, 1*, Mainz: Verlag des Römisch-Germanischen Zentralmuseum, 2010, pp. 425-478.
- Ragona, A.**, "Influssi saraceni nella ceramica italiana al tempo degli Svevi e degli Angioini", *Faenza* 46 (1969), pp. 3-12.
- Raptou, E.**, "The Built Tomb in Icarus Street, Kato Pafos", *RDAC*, Nicosia (2006), pp. 317-330.
- Rautman, M. L., Gomez, B., Neff, H., and Glascock, M. D.**, "Neutron activation analysis of late Roman ceramics from Kalavassos-Kopetra and the environs of the Vasilikos valley", *RDAC*, Nicosia (1993), pp. 233-264.
- Rautman, M.**, "Handmade Pottery and Social Change: the View from Late Roman Cyprus", *Journal of Mediterranean Archaeology* 11:1 (1998), pp. 81-104.
- Rautman, M.**, *A Cypriot Village of Late Antiquity. Kalavassos-Kopetra in the Vasilikos Valley* [Journal of Roman Archaeology Supplement Series, 52], Portsmouth, Rhode Island, 2003.
- RDAC* = Report of the Department of Antiquities of Cyprus.
- Redford, S.**, *Landscape and the State in Medieval Anatolia: Seljuk Gardens and Pavilions of Alanya, Turkey* [BAR International Series 893], Oxford: Tempus Reparatum, 2000.
- Redford, S., Salima, I., Elizabeth, P., and Timothy, B.**, "Excavations at Medieval Kinet, Turkey: A Preliminary Report", *Journal of Ancient Near Eastern Studies* 38 (2002), pp. 59-139.

- Redford, S.**, “On *Sāqīs* and ceramics: Systems of Representation in the Northeast Mediterranean”, in: D.H. Weiss and L. Mahoney (eds.), *France and the Holy Land. Frankish Culture at the End of the Crusades*, Baltimore and London, **2004**, pp. 282-312.
- Redford, S.**, “Neutron Activation Analysis of Medieval Ceramics from Kinet, Turkey, especially Port Saint Symeon Ware”, *Journal of Ancient Near Eastern Studies* 42 (**2005**), pp. 83-186.
- Reynolds, P. and Waksman, Y.**, “Beirut Cooking Wares, 2nd to 7th Centuries: Local Forms and North Palestinian Imports”, *Berytus* 50 (**2007**), pp. 59-81.
- Richard, J.**, (ed.), *Le Livre des Remembrances de la Royaume de Chypre (1468-1469)*, Nicosia, **1983**.
- Ricci, C., Borgia, I., Brunetti, B. G., Scamellotti, A., Fabbri, B., Burla, M. C. and G. Polidori**, “A Study on Late Medieval Transparent-Glazed Pottery and Archaic Majolica from Orvieto (Central Italy)”, *Archaeometry* 47, 3 (**2005**), pp. 557-570.
- Rice, P. M.**, *Pottery Analysis, A Sourcebook*, University Of Chicago Press, Chicago, **1987**.
- Roldán, C., Coll, J. and J. Ferrero**, “EDXRF Analysis of Blue Pigments used in Valencian Ceramics from the 14th Century to Modern Times”, *Journal of Cultural Heritage* 7 (**2006**), pp. 134-138.
- Rosser, J.**, “Excavations at Saranda Kolones, Paphos, 1981-1983”, *Dumbarton Oaks Papers* 39 (**1985**), pp. 81-97.
- Rosser, J.**, “Ancient and Byzantine Pottery”, in: J. Morganstern et al. (eds.), *The Fort at Dereāḡzi and other Remains in its Vicinity: from Antiquity to the Middle Ages* [Istanbuler Forschungen 49], Tübingen: Wasmuth, **1993**, pp. 129-134.
- Rosser, J.**, “The Castle of the Forty Columns”, *Minerva* 8 (**1996**), pp. 26-29.
- Rozenberg, S.**, (ed.), *Knights of the Holy Land: The Crusader Kingdom of Jerusalem*, Jerusalem, **1999**.
- Ruggieri V. and Nethercott, F.**, “The Metropolitan City of Syllion and its Churches”, *Jahrbuch der Österreichischen Byzantinistik* 36 (**1986**), pp. 133-156.
- Russell, J.**, “Anemourion”, in: A. E. Laiou (ed.), *The Economic History of Byzantium: From the Seventh through the Fifteenth Century*, [Dumbarton Oaks Research Library and Collection 39, 2], Washington: Dumbarton Oaks Research Library and Collection, **2002**, pp. 221-228.
- Saccardo, F.**, “La ceramica graffita a Venezia dal tardo XVI al XVIII secolo e un documento con l’inventario di un bottega di *Bochaler*”, in: S. Gelichi (ed.), *Alla fine della graffita. Ceramiche e centri di produzione nell’Italia settentrionale tra XVI e XVII secolo*, Firenze, **1993**.
- Solomidou-Ieronymidou, M.**, «Αρχαιολογικές έρευνες στους μεσαιωνικούς ζαχαρόμυλους Κολοσσιού και Επισκοπής», in: *Αρχαιολογικά τεκμήρια βιοτεχνικών εγκαταστάσεων κατά τη βυζαντινή εποχή 5^{ος} - 15^{ος} αιώνας*, Athens, **2004**, pp. 303-325.
- Solomidou-Ieronymidou, M.**, “The Crusaders. Sugar Mills and Sugar Production in Medieval Cyprus”, in: *Archaeology and the Crusades*, eds. P. Edbury and S. Kalopissi-Verti, Athens **2007**, pp. 63-81.

- Sorensen L. W. and Rupp, D. W.**, *The Land of the Paphian Aphrodite. The Canadian Palaepaphos Survey Project Artifact and Ecofactual Studies*, Vol. 2 [Studies in Mediterranean Archaeology, 104:2], Göteborg: Paul Åströms Förlag, **1993**.
- Spatharakis, I.**, *Dated Byzantine Wall Paintings of Crete*, Leiden, **2001**.
- Spengler, W.F. and Sayles, W.G.**, *Turkoman Figural Bronze Coins and their Iconography, vol. I: The Artuqids, vol. II: The Zengids*, Lodi, **1992**.
- Stern, E. J.**, "Excavation of the courthouse site at 'Akko: The Pottery of the Crusader and Ottoman Periods", *'Atiqot* 31 (**1997**), pp. 35-70.
- Stern, E. J.**, "The Excavation at Lower Horbat Manot: A Medieval Sugar Production Site", *'Atiqot* 42 (**2001**), pp. 277-308.
- Stern, E.J. and Waksman, S.Y.**, "Pottery from Recent Excavations in Crusader Acre : Typological and Analytical Study", in *Actes du VII^e Congrès International sur la Céramique Médiévale en Méditerranée*, Athens, **2003**, pp. 167-180.
- Stern, E. J.**, "Production and Export of 13th century CE Cypriot Pottery: the Evidence from the Crusader Kingdom of Jerusalem", *RDAC*, Nicosia (**2008**), pp. 455-465.
- Stern, E. J.**, *Akko I. The 1991-1998 Excavations The Crusader-Period Pottery* (2 vols.) (Israel Antiquities Authority Reports 51). Jerusalem: Israel Antiquities Authority, **2012**.
- Stöckly, D.**, "Le film de la navigation Vénitienne vers Chypre (Fin 13^e - milieu 15^e siècle)", *Επετηρίδα Κέντρου Επιστημονικών Ερευνών* 23 (**1997**), pp. 57-74.
- Stöckly, D.**, "Commerce et rivalité à Chypre. Le transport du sucre par les Vénitiens dans les années 1440, d'après quelques documents génois", in: *Oriente e Occidente tra medioevo ed età moderna, Studi in onore di G. Pistarino*, ed. L. Balletto, Genoa, **1997**, pp. 1133-1144.
- Stylianou, A. and Stylianou, J.A.**, *The Painted Churches of Cyprus.: Treasures of Byzantine Art*, London, **1985**.
- Talbot R., David**, "Late Byzantine Pottery at Dumbarton Oaks," *Dumbarton Oaks Papers* 20 (**1966**), pp. 209-219.
- Taylor, J. du Plat**, "Some Notes on Byzantine Glazed Ware in Cyprus", *RDAC*, Nicosia (**1934**), pp. 24-25.
- Taylor, J. du Plat**, "Byzantine Bowls Acquired by the Cyprus Museum", *RDAC*, Nicosia (**1935**), p. 34.
- Taylor, J. du Plat**, "Medieval Graves in Cyprus", *Ars Islamica*, Ann Arbor 5 (**1938**), pp. 55-88.
- Taylor, J. du Plat and Megaw, A.H.S.**, "Cypriot Medieval Glazed Pottery. Notes for a Preliminary Classification", *RDAC*, Nicosia 1937-1939 (**1951**), pp. 1-13.
- Tekinalp, M.**, "On İkinci ve On Üçüncü Yüzyıllarda Kilikya Bölgesi'nde bir Kome: Minnetpınarı (Kahramanmaraş)", in: A. Ödekan et al. (eds.), *On İkinci ve On Üçüncü Yüzyıllarda Bizans Dünyasında Değişim / Changes in the Byzantine World in the Twelfth and Thirteenth Centuries* [1. Uluslararası Sevgi Gönül Bizans Araştırmaları Sempozyumu], Istanbul, **2010**, pp. 293-302.
- Teslenko, I.B.**, "Proizvodstvo polivnoi keramiki v kreposti Aluston (Krym)", *Polivnaya keramika Sredizemnomor'ya i Prichernomor'ya X-XVIII v.*, Kiev: **Stylos**, 2005, pp. 324-348 (in Russian).

- Tite, M. S., Kilikoglou, V. and Vekinis, G.**, “Strength, Toughness and Thermal Shock Resistance of Ancient Ceramics, and their Influence on Technological Choice”, *Archaeometry* 43 (2001), pp. 301-324.
- Tömöry, T.**, “Medieval Sgraffito Ware from Anemurium in Cilicia”, *Belleten* XLI/161 (1977), pp. 29-40.
- Topraktepe, E.**, (ed.), *Sikkeler ne anlatir? Ortaçağ Anadolu Sikkelerinde Simgeler ve Çokkültürlülük*, Istanbul, 2009.
- (Toydemir) Sabuncu, A.**, “Çanak – Çömlek”, in: H. Cambel et al. (eds.), *Kumkale. Toros Eteklerinde Bir Haçlı Kalesi*, Istanbul: Bosphorus 2007, pp. 91-224.
- Tsamakda, V.**, *Die Panagia-Kirche und die Erzengelkirche in Kakodiki. Werkstattgruppen, kunst- und kulturhistorische Analyse byzantinischer Wandmalerei des 14. Jhs auf Kreta (Archäologische Forschungen 21)*, Vienna, 2012.
- Vallauri, L.**, “Céramiques en usage à Potamia-Agios Sozomenos de l’époque médiévale à l’époque ottomane. Nouvelles données”, *Cahiers du Centre d’Études chypriotes* 34 (2004), pp. 223-238.
- Vallauri, L., and Démians d’Archimbaud, G.**, “La circulation des céramiques byzantines, chypriotes et du Levant chrétien en Provence, Languedoc et Corse du X^e au XIV^e siècle”, in *VII^e Congrès International sur la Céramique Médiévale en Méditerranée*, Athens, 2003, pp. 137-152.
- Vendrell, M., Molera, J. and M. S. Tite**, “Optical Properties of Tin-Opacified Glazes”, *Archaeometry* 42, 2 (2000), pp. 325-340.
- Verinis, J.P.**, “Spiridon Loues, the Modern Foustanela, and the Symbolic Power of Pallikaria at the 1896 Olympic Games”, *Journal of Modern Greek Studies* 23 (2005), pp. 139-175.
- Violaris, Y.**, “Excavations at the Site of Palaion Demarcheion”, Lefkosia, *Cahier du Centre d’Études Chypriotes* 34 (2004), pp. 69-80.
- Vocino, M.**, *Storia del costume. Venti secoli di vita italiana*, Roma, 1952.
- Vogt, C.**, “Céramique”, in: *Byzance, l’art byzantin dans les collections publiques françaises* [Musée du Louvre 3], Paris: Réunion des Musées Nationaux, 1992.
- Vogt, P.**, *Führer durch das Museum Folkwang Essen*, Recklinghausen: Bongers, 1964.
- Volbach, W.F.**, “Le miniature del codice Vatic. Pal. Lat. 1071 De arte venandi cum avibus”, *Rendiconti, Atti della Pontifica Accademia Romana di Archeologia*, ser. 3. 15 (1939), Roma (1939), pp. 145-175.
- Volbach, W. F.**, “Byzantinische Keramik aus Kilikien”, in: E. Herzfeld and S. Guyer, *Meriamlik und Korykos*, [Monumenta Asiae Minoris Antiqua vi], Manchester: Manchester University Press, 1930, pp. 197-201.
- von Wartburg, M.-L.**, “Excavations at Kouklia (Palaepaphos). Twelfth Preliminary Reports: Season 1981 and 1982”, *RDAC*, Nicosia (1983), pp. 307-314.
- von Wartburg, M.-L.**, “The Medieval Cane Sugar Industry in Cyprus”, *The Antiquaries Journal* 63, (1983), pp. 298-314.
- von Wartburg, M.-L.**, “Paphos as a Centre of the Cane Sugar Industry”, in: F.G. Maier, V. Karageorghis, *Paphos. History and Archaeology*, Nicosia, 1984, pp. 326-345.
- von Wartburg, M.-L., and Maier, F. G.**, “Excavations at Kouklia (Palaepaphos). Fifteenth Preliminary Report: Seasons 1987 and 1988”, *RDAC*, Nicosia (1987), pp. 177-193.

- von Wartburg, M.-L.**, “Lemba Ware reconsidered”, *RDAC*, Nicosia (1997), pp. 323-340.
- von Wartburg, M.-L.**, “Medieval Glazed Pottery from the Sanctuary of Aphrodite at Palaepaphos (Site TA). A Preliminary Survey”, *RDAC*, Nicosia (1997), pp. 184-194.
- von Wartburg, M.-L.**, “Mittelalterliche Keramik aus dem Aphroditeheiligtum in Palaepaphos”, *Archäologischer Anzeiger*, 1998, pp. 133-165.
- von Wartburg, M.-L.**, “Cane Sugar Production Sites in Cyprus: Real and Imagined”, *RDAC*, Nicosia (2000), pp. 381-401.
- von Wartburg, M.-L.**, “The Archaeology of Cane Sugar Production: a Survey of Twenty Years of Research in Cyprus”, *The Antiquaries Journal* 81 (2001), pp. 305-335.
- von Wartburg, M.-L.**, “‘Hochzeitspaare’ und Weintrinker. Zu Bildmotiven der mittelalterlichen Keramik Cyperns”, in: S. Buzzi *et al.* (eds.), *Zona Archeologica. Festschrift für Hans Peter Isler zum 60. Geburtstag (Antiquitas, Reihe 3, Band 42)*, Bonn, 2001, pp. 457-465.
- von Wartburg, M.-L.**, “Bowls and Birds: Some Middle Byzantine Bowls from Swiss Private Collections”, in: J. Herrin, M. Mullett and C. Otten-Froux (eds.), *Mosaic. Festschrift for A.H.S. Megaw (British School at Athens Studies 4)*, London, 2001, pp. 115-130.
- von Wartburg, M.-L.**, “Cypriot Contacts with East and West as reflected in Medieval Glazed Pottery from the Paphos region”, in *VII^e Congrès International sur la Céramique Médiévale en Méditerranée, Thessaloniki, 11-16 Octobre 1999*, Athens, 2003, pp. 153-166.
- von Wartburg, M.-L.**, “Die Archäologie der mittelalterlichen Rohrzuckerproduktion. 25 Jahre Forschung auf Zypern”, in: *Transfer. Innovationen in der Zeit der Kreuzzüge*, eds V. Herzner and J. Krüger, Akten der 4. Landauer Staufertagung 2003, Speyer, 2006, pp. 67-85.
- von Wartburg, M.-L.**, “Chronology and Stratigraphy of the Medieval Pottery of Cyprus: A Critical Review”, in: B. Böhlendorf-Arslan, A.O. Uysal and J. Witte-Orr (eds.), *Çanak. Late Antique and Medieval Pottery and Tiles in Mediterranean Archaeological Contexts (Byzas 7)*, Istanbul, 2007, pp. 419-440.
- von Wartburg, M.-L. and Violaris, I.**, “Pottery of a 12th Century Pit from the Palaion Demarcheion Site in Nicosia: a Typological and Analytical Approach to a Closed Assemblage”, in J. Zozay (ed.) *Actas del VIII Congreso Internacional de Cerámica Medieval. Ciudad Real Almagro, del 27 de febrero al 3 de marzo de 2006*, Vol 1, Madrid, 2009, pp. 249-264.
- von Wartburg, M.-L., Portmann, A., Wild, F., Stockhausen, S., Berke, H.**, “‘Islamic’ Table Ware found in Cyprus: Study and Analysis of Fabric and Glazes”, *RDAC*, Nicosia 2010 (2012), pp. 389-410.
- Vorderstrasse, T.**, *Al-Mina: A Port of Antioch from Late Antiquity to the end of the Ottomans*, Leiden: NINO, 2005.
- Vorderstrasse, T.**, “A Port without a Harbour: Reconstructing Medieval Al-Mina,” in James Schryver, ed., *Studies in the Archaeology of the Medieval Mediterranean* Leiden: E.J. Brill, 2010, pp. 15-39.
- Vroom, J.**, *After Antiquity.: Ceramics and Society in the Aegean from the 7th to the 20th centuries A.C., A Case Study from Boeotia, Central Greece* [Archaeological Studies, Leiden University 10], 2003.

- Vroom, J.**, *Byzantine to Modern Pottery in the Aegean. An Introduction and Field Guide*, Utrecht, **2005**.
- Vroom, J.**, “Breaking pots: Medieval and Post-Medieval ceramics from Central Greece”, in: J. Bintliff and H. Stöger (eds.), *Medieval and Post-Medieval Greece. The Corfu Papers (BAR I.S. 2023)*, Oxford, **2009**, pp. 167-176.
- Vroom, J.**, “Medieval Ceramics and the Archaeology of Consumption in Eastern Anatolia”, in *Archaeology of the Countryside in Medieval Anatolia* [PIHANS113], Leiden, **2009**, pp. 235-258.
- Vroom, J.**, “The Morea and its Links with Southern Italy after AD 1204: Ceramics and Identity”, *Archeologia Medievale* 38 (**2011**), pp. 409-430.
- Vroom, J.**, “Medieval - Modern Fine Wares”, in: M. Given, B. Knapp, J.S. Noller, L. Sollars and V. Kassianidou (eds.), *Landscape and Interaction: Troodos Survey, Volume 1: Methodology, Analysis and Interpretation (Levant Supplementary Series)*, London, **2013**, pp. 23-32.
- Vroom, J.**, “Strike a Pose: Human Representations and Gestures on Medieval Ceramics from Cyprus (ca. 13th-15th/16th centuries)”, in S. Rogge and M. Grünbaert (eds.), *Cyprus in Medieval Times: A Place of Cultural Encounter*, Münster, forthcoming.
- Vroom, J.**, “Public Portraits, Private Lives: Human Images on Byzantine and Medieval Ceramics from Cyprus (ca. 12th-early 13th-15th c.)”, in V. Tsamakda and N. Zimmermann (eds.), *The Private Portrait.: Images of Individuals in Late Antique and Byzantine Art*, Vienna, forthcoming.
- Waksman, S.Y.**, “Céramiques levantines de l’époque des Croisades: le cas des productions à pâte rouge des ateliers de Beyrouth”, *Revue d’Archéométrie* 26 (**2002**), pp. 67-77.
- Waksman, S.Y., Bien, S., Trégliia, J.-C., Vallauri, L., Bonifay, M., and Roumié, M.**, “Some Indications regarding Eastern Mediterranean Late Roman Common Wares found in Southern France”, in *Ceramics in the Society (Proceedings of the 6th European Meeting on Ancient Ceramics, Fribourg, 3-6 octobre 2001)*, Fribourg, **2003**, pp. 311-322.
- Waksman, S.Y., Reynolds, P., Bien, S. and Trégliia, J.-C.**, “A Major Production of Late Roman ‘Levantine’ and ‘Cypriot’ common wares”, in *LRCW I, Late Roman Coarse Wares, Cooking Wares and Amphorae in the Mediterranean: Archaeology and Archaeometry*, BAR International Series 1340, **2005**, pp. 311-325.
- Waksman, S.Y. and François, V.**, “Vers une redéfinition typologique et analytique des céramiques byzantines du type *Zeuxippus Ware*”, *Bulletin de Correspondance hellénique* 128-129.2.1 (**2004-2005**), pp. 87-182, and 629-724.
- Waksman, S.Y. and Wartburg, M.-L. von.**, “‘Fine-Sgraffito Ware’, ‘Aegean Ware’, and other Wares: New Evidence for a Major Production of Byzantine Ceramics”, *RDAC*, Nicosia (**2006**), pp. 369-388.
- Waksman, S.Y., Stern, E.J., Segal, I., Porat, N., Yellin, J.**, “Some Local and Imported Ceramics from Crusader Acre investigated by Elemental and Petrographic Analysis”, *Atiqot* 59 (**2008**), pp. 157-190.
- Waksman, S.Y., Teslenko, I. and Zelenko, S.**, “Glazed Wares as Main Cargoes and Personal Belongings in the Novy Svet Shipwreck (13th c. AD, Crimea): A Diversity of Origins

- investigated by Chemical Analysis”, in *Actas del VIII Congreso Internacional de Cerámica Medieval*, vol. II, Ciudad Real, **2009**, pp. 851-856.
- Waksman, S.Y.**, “Ceramics of the ‘Serçe Limanı type’ and Fatimid pottery production in Beirut”, *Levant* 43.2 (2011), pp. 201-212.
- Waksman, S.Y.**, “Études de provenance de céramiques”, in *Circulation et provenance des matériaux dans les sociétés anciennes. La contribution des méthodes archéométriques*, forthcoming a.
- Waksman, S.Y.**, “Medieval Ceramics from the Türbe Excavations in Ephesos / Ayasuluk: an Archaeometric Viewpoint”, in *Türbe in the Artemision* [Sonderschriften des Österreichischen Archäologischen Instituts], Wien, forthcoming b.
- Waksman, S.Y.**, “The Identification and Diffusion of Anaiia’s Ceramic Products: a Preliminary Approach using Chemical Analysis”, in Z. Mercangöz (ed.), *Byzantine Craftsmen - Latin Patrons. Reflections from the Anaian Commercial Production in the Light of the Excavations at Kadikalesi nearby Kuşadası*, **2013**, pp. 101-111.
- Waksman, S.Y., Skartsis, S.S., Kontogiannis, N.D., Vaxevanis, G.**, “The main ‘Middle Byzantine Production’ and Pottery Manufacture in Thebes and Chalkida”, *British School at Athens*, forthcoming a.
- Waksman, S.Y., Morozova, Y., Zelenko, S. and Çolak, M.**, “Archaeological and Archaeometric Investigations of the Amphorae Cargo of a Late Roman Shipwreck sunk near the Cape of Plaka (Crimea, Ukraine)”, in *LRCW4, Late Roman Coarse Wares, Cooking Wares and Amphorae in the Mediterranean: Archaeology and Archaeometry*, forthcoming b.
- Weyl Carr, A.**, “Perspectives on Visual Culture in Early Lusignan Cyprus: Balancing Art and Archaeology”, in: P. Edbury and S. Kalopissi-Verti (eds.), *Archaeology and the Crusades. Proceedings of the Round Table, Nicosia, 1 February 2005*, Athens, **2007**, pp. 83-109.
- Weyl Carr, A.**, “Iconography and Identity: Syrian Elements in the Art of Crusader Cyprus”, *Church History and Religious Culture* 89 (2009), pp. 127-151.
- Wood, C.A. and Fyfe, F.M.**, (eds.), *The Art of Falconry, being the De Arte Venandi cum Avibus of Frederick II of Hohenstaufen*, Boston and London, **1955**, 2nd ed.
- Wood, B. G.**, *The Sociology of Pottery in Ancient Palestine: the Ceramic Industry and the Diffusion of Ceramic Style in the Bronze and Iron Ages*, Sheffield, **1990**.
- Wood, N., Tite, M. S., Doherty, C. and B. Gilmore**, “A Technological Examination of ninth-tenth century AD Abbasid Blue-and-white Ware from Iraq, and its Comparison with eighth century AD Chinese Blue-and-white Sancai Ware”, *Archaeometry* 49, 4 (2007), pp. 665-684.
- Yakobson, A.**, “Srednevekovyi Khersones (XII-XIV vv.)”, [Materialy i issledovaniya po arkheologii SSSR, XVII] (in Russian), Moskva-Leningrad, **1950**, p. 256. (in Russian).
- Yakobson, A.L.**, *Keramika i keramicheskoe proizvodstvo srednevekovoy Tavriki* (in Russian), Leningrad, **1979**.

